

STEINEL Vertrieb GmbH
Dieselstraße 80-84
33442 Herzebrock-Clarholz
Tel: +49/5245/448-188
www.steinel.de



Contact
www.steinel.de/contact



110077150_05/2020_A Technische Änderungen vorbehalten. / Subject to technical modification without notice.



● steinel



L 830 LED iHF

L 835 LED iHF

L 840 LED iHF

GL 80 LED iHF

Part 1

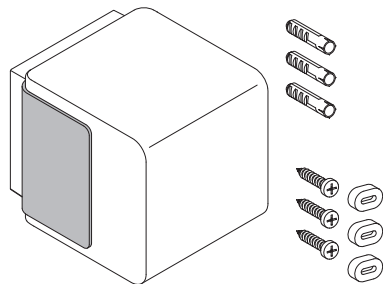
DE 21	Textteil beachten!
GB 31	Follow written instructions!
FR 41	Se référer à la partie texte !
NL 51	Let op de tekst!
IT 61	Seguire attentamente le istruzioni!
ES 71	¡Téngase en cuenta el texto!
PT 81	Siga as instruções escritas!
SE 91	lakta texten!
DK 101	Følg den skriftlige vejledning!
FI 110	Huomaa tekstiosio!
NO 119	Se de skriftlige instruksene!
GR 128	Τηρείτε γραπτές οδηγίες!
TR 138	Metin kısmını dikkate alın!
HU 148	Szöveges részre figyelni!

Part 2

CZ 41	Dodržujte informace v textové části!
SK 51	Dodržiavajte informácie v textovej časti!
PL 61	Postępować zgodnie z instrukcją!
RO 71	Respectați instrucțiunile scrise!
SI 81	Upoštevajte besedilo!
HR 91	Pridržavajte se pisanih uputa!
EE 101	Järgige tekstiosa!
LT 111	Laikykites rašytinių instrukcijų! Pievėrsiet
LV 121	uzmanību teksta daļai!Обратите
RU 131	внимание на текстовую часть!
BG 141	Прочетете инструкциите!
CN 151	遵守文字说明要求!

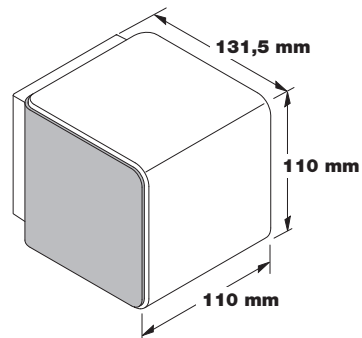
3.1

L 830 LED iHF
L 835 LED iHF
L 840 LED iHF



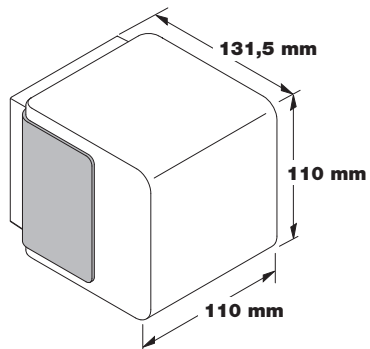
3.2

L 830 LED iHF



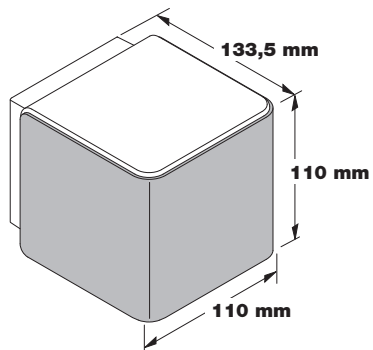
3.3

L 835 LED iHF



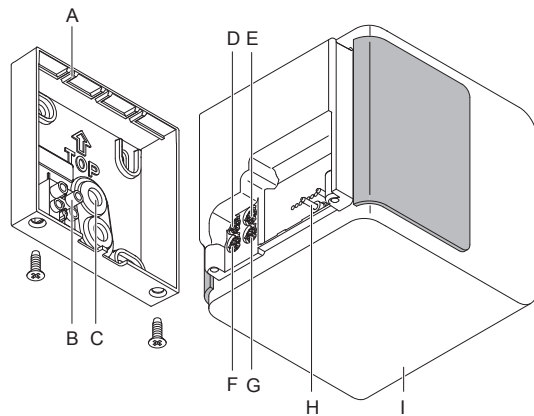
3.4

L 840 LED iHF



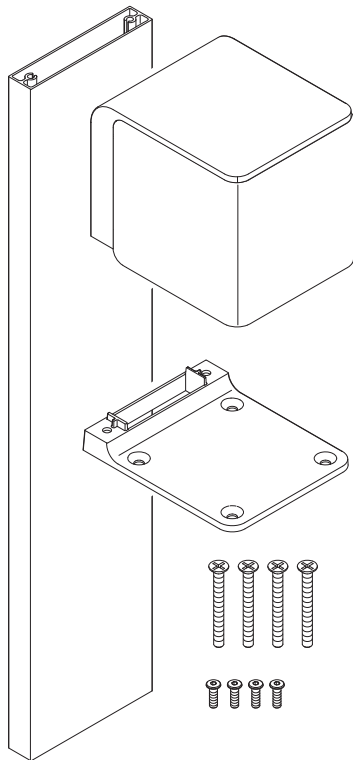
3.5

L 830 / L 835 / L 840 LED iHF



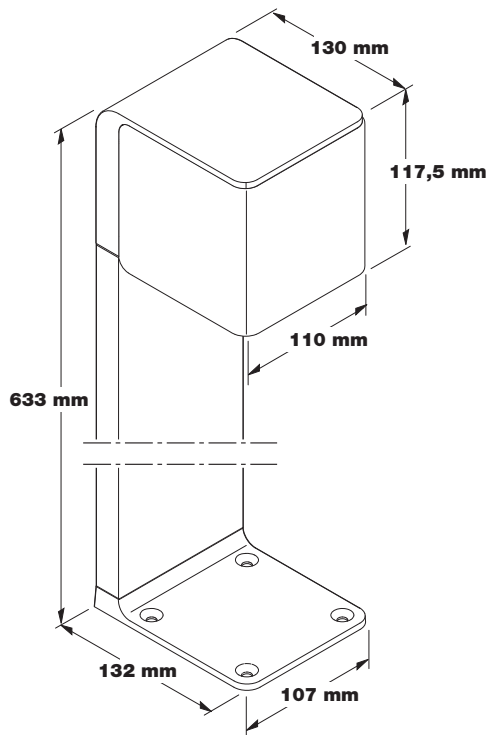
3.6

GL 80 LED iHF



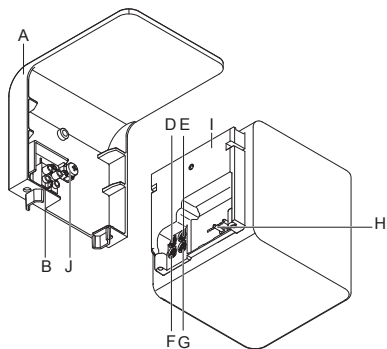
3.7

GL 80 LED iHF

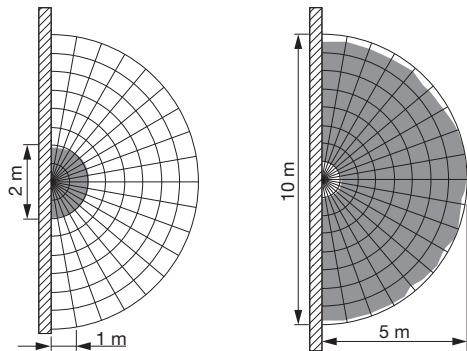


3.8

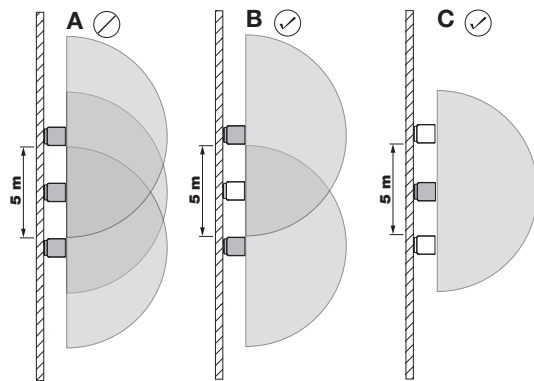
GL 80 LED iHF



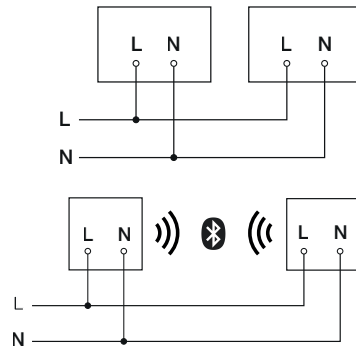
3.9



3.10

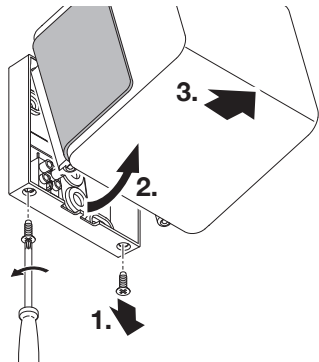


4.1

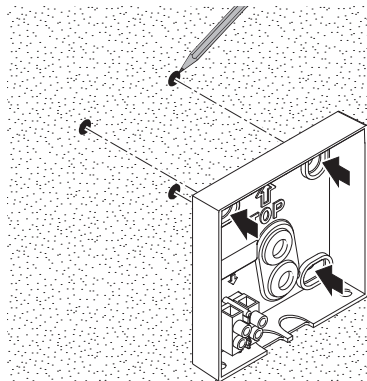


5.1

L 830/L 835/L 840 LED iHF

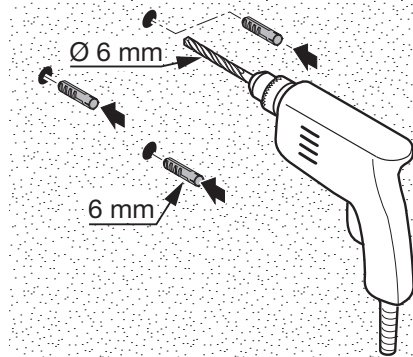


5.2

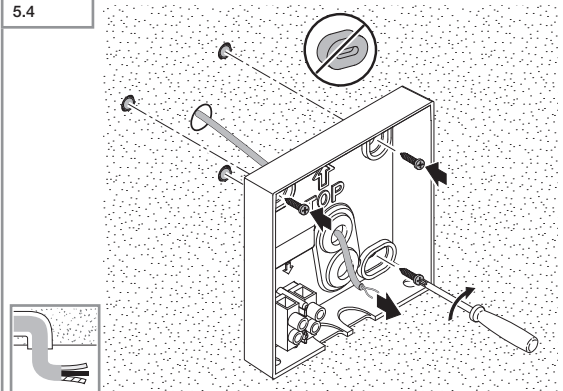


- 10 -

5.3

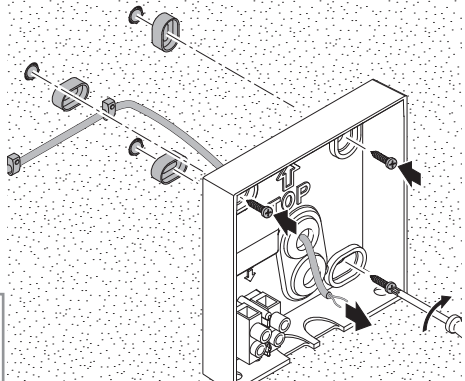


5.4

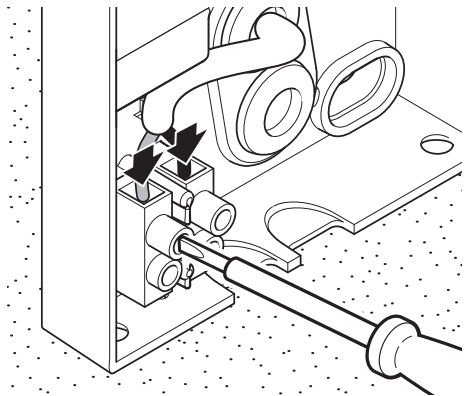


- 11 -

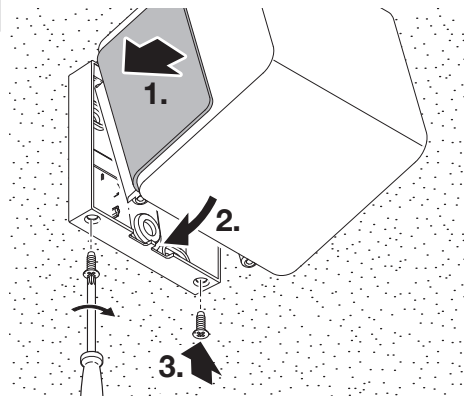
5.5



5.6

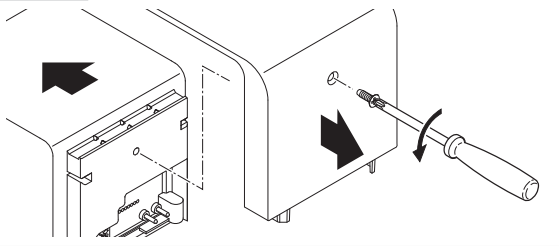


5.7

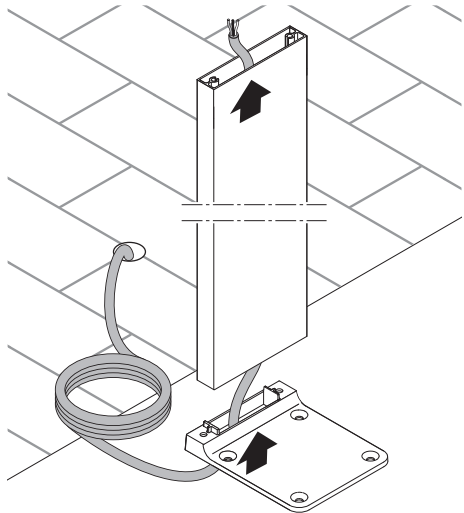


5.8

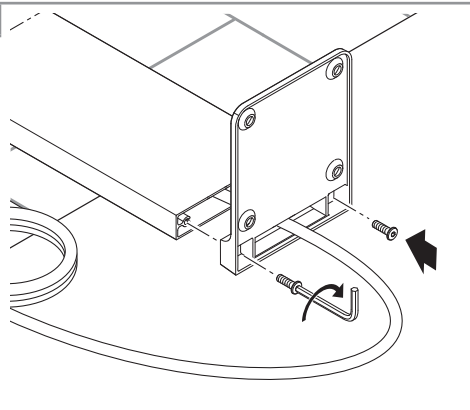
GL 80 LED iHF



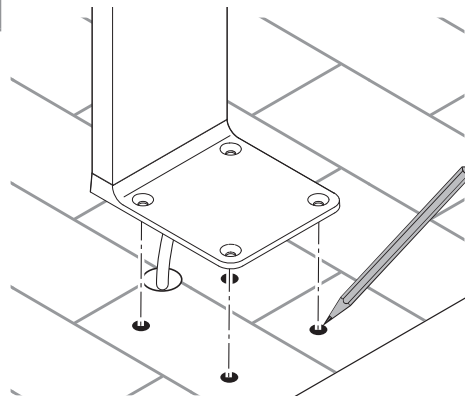
5.9



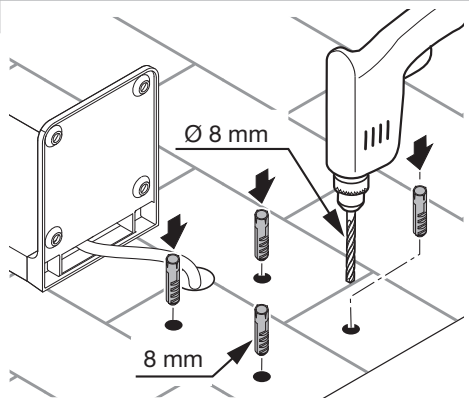
5.10



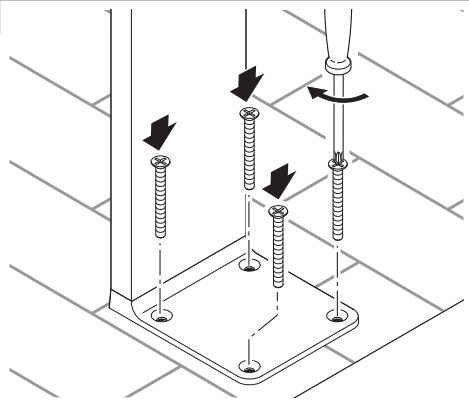
5.11



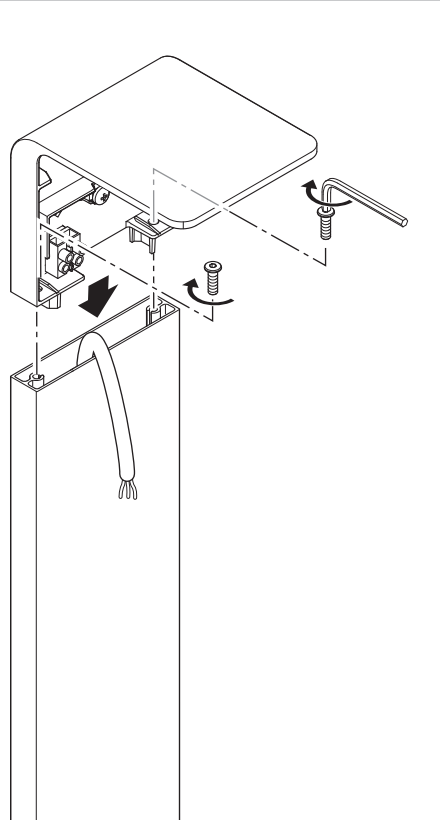
5.12



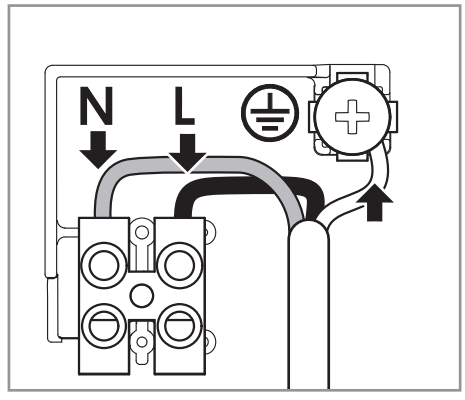
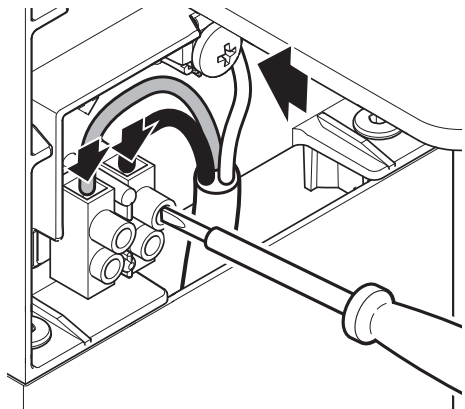
5.13



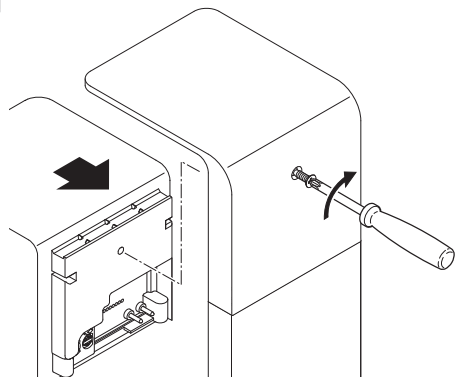
5.14



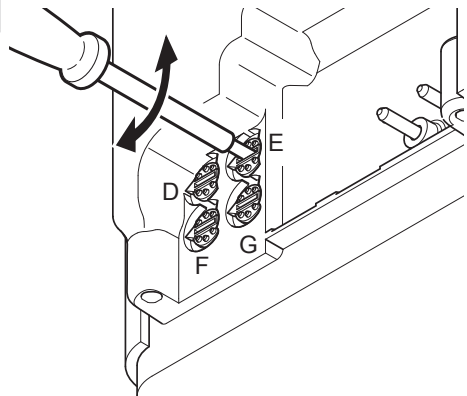
5.15



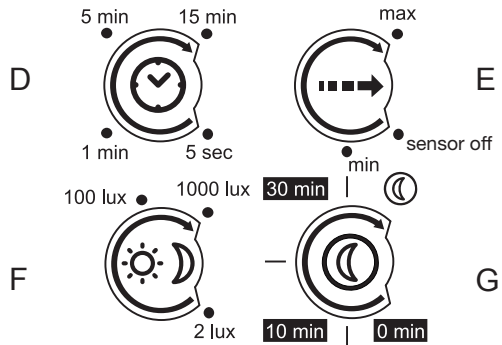
5.16



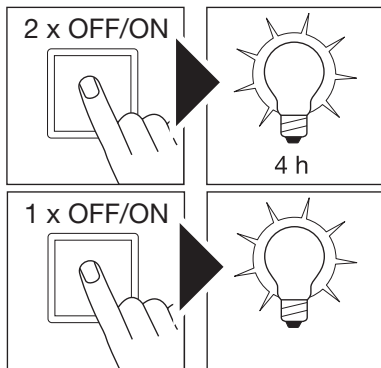
6.1



6.2



6.3



1. About this document

Please read carefully and keep in a safe place.

- Under copyright. Reproduction either in whole or in part only with our consent.
- Subject to change in the interest of technical progress.

Symbols



Hazard warning!



Reference to other information in the document.

2. General safety precautions



Disconnect the power supply before attempting any work on the unit.

- During installation, the electric power cable being connected must not be live. Therefore, switch off the power first and use a voltage tester to make sure the wiring is off-circuit.
- Installing the sensor-switched light involves work on the mains voltage supply. This work must therefore be carried out professionally in accordance with national wiring regulations and electrical operating conditions.
- Only use genuine replacement parts.
- Repairs may only be made by specialist workshops.

3. L 830 / L 835 / L 840 / GL 80 LED iHF

Proper use

- Sensor-switched light for mounting on indoor and outdoor walls (L 830 / L 835 / L 840 LED iHF)
- Sensor-switched light for mounting on floor, indoors and out (GL 80 LED iHF)

The sensor-switched light features an active motion detector. The integrated HF sensor emits high-frequency electromagnetic waves (5.8 GHz) and receives their echo. Any movement by persons in the light's detection zone is noticed by the sensor as a change in echo. A microprocessor then issues the switch command "switch light ON". Detection is possible through doors, panes of glass or thin walls. Analysing the signal, the sensor distinguishes between moving persons and moving objects, such as bushes or small animals.

This rules out any inadvertent triggering by small animals as well as interference from extreme temperatures.

The functions of the sensor-switched light can be set via smartphone and tablet or control dial. Bluetooth interconnection is only possible via smartphone or tablet.

Note:

The high-frequency output of the iHF-sensor is approx. 1 mW – that's 1000 times less than the transmission power of a mobile phone or the output of a microwave oven.

Package contents L 830 / L 835 / L 840 LED iHF (Fig. 3.1)

- Luminaire
- Three screws
- Three wall plugs
- Three spacers

Product dimensions L 830 LED iHF (Fig. 3.2)

Product dimensions L 835 LED iHF (Fig. 3.3)

Product dimensions L 840 LED iHF (Fig. 3.4)

Product components L 830 / L 835 / L 840 LED iHF (Fig. 3.5)

- A** Wall mount
- B** Connecting terminal
- C** Sealing plug
- D** Time setting
- E** Reach setting
- F** Twilight setting
- G** Setting night light
- H** Plug connection
- I** Light cube

Package contents GL 80 LED iHF (Fig. 3.6)

- Luminaire
- Profile
- Base plate
- Four floor/ground screws
- Four wall plugs
- Four connecting screws

Product dimensions GL 80 LED iHF (Fig. 3.7)

Product components GL 80 LED iHF (Fig. 3.8)

- A** Cover cap
- B** Connecting terminal
- D** Time setting
- E** Reach setting
- F** Twilight setting
- G** Setting night light
- H** Plug connection
- I** Light cube
- J** Earth terminal

Reach (Fig. 3.9)

Note:

If lights are mounted too close together, switching errors may occur as the high-frequency signals emitted will interfere with each other. (Fig. 3.10 A)

The following measures will help to avoid switching errors of this kind:

- Allow a distance of at least 5 m between lights.
- Interconnect lights via the Smart Remote app and selectively deactivate the sensor in individual lights via the Sensor-Off function (Fig. 3.10 B + C). As a result of interconnection, movement will also switch lights ON in spite of their sensor being deactivated.

4. Electrical connection

Wiring diagram (Fig. 4.1)

The mains supply lead is a 2 to 3-core cable:

L = phase conductor (usually black or brown)

N = neutral conductor (usually blue)

PE = protective-earth conductor (green/yellow)

If you are in any doubt, identify the conductors using a voltage tester; then disconnect from the power supply again. Connect phase (**L**) and neutral conductor (**N**) to the terminal. Insulate protective-earth conductor (**PE**) and place it next to terminal block.

For GL 80 LED iHF, the protective-earth conductor must be connected to the earth terminal (**PE**).

Important:

Incorrectly wired connections will produce a short circuit later on in the product or your fuse box. In this case, you must identify the individual cables and re-connect them. A mains power switch for turning the light ON and OFF may of course be installed in the mains supply lead.

The light source of this luminaire cannot be replaced. If the light source needs to be replaced (e.g. at the end of its service life), the complete luminaire must be replaced.

5. Mounting

- Check all components for damage.
- Do not use the product if it is damaged.
- When installing the sensor-switched light, make sure the installation site is not exposed to vibration.
- Select an appropriate mounting location, taking the reach and motion detection into consideration.

Mounting procedure (L 830 / L 835 / L 840 LED iHF)

- Switch OFF power supply. (Fig. 4.1)
- Undo retaining screws and detach light cube from the wall mount. (Fig. 5.1)
- Mark drill holes (Fig. 5.2)
- Drill holes and fit wall plugs. (Fig. 5.3)
- Pierce sealing plug.
- Installation with concealed power supply lead (Fig. 5.4)
- Installation with surface-mounted power supply lead (Fig. 5.5)
- Connect conductors (Fig. 5.6)
- Make settings → "6. Function" (control dials only)
- Fit light cube onto wall mount (Fig. 5.7)
- Screw in retaining screws (Fig. 5.7)
- Switch ON power supply (Fig. 5.7)

Mounting procedure (GL 80 LED iHF)

- Switch OFF power supply (Fig. 4.1)
- Undo retaining screw and remove light cube from the cover (Fig. 5.8)
- Pull cable through base plate and profile (Fig. 5.9)
- Screw base plate to profile (Fig. 5.10)
- Mark base plate drill holes (Fig. 5.11)
- Drill holes and insert screw anchors (Fig. 5.12)
- Screw base plate to the floor/ground (Fig. 5.13)
- Screw cover onto profile (Fig. 5.14)
- Connect conductors (Fig. 5.15)
- Make settings → "6. Function" (control dials only)
- Fit light cube to cover (Fig. 5.16)
- Screw in retaining screw (Fig. 5.16)
- Switch ON power supply (Fig. 5.16)

6. Function

Factory settings:

- Time setting: 5 seconds
- Reach setting: 5 m
- Twilight level: 2000 lux
- Night light: ON

Functions can be set via Smart Remote app or control dial.

Note:

The settings last selected on the control will be used.

Smart Remote app

To configure the light via smartphone or tablet, you must download the STEINEL Smart Remote app from your app store. You will need a Bluetooth-capable smartphone or tablet.

Android



iOS



Additional functions only via the Smart Remote app:

- Main light / night light level can be adjusted
- Extended reach adjustment
- Group interconnection
- Twilight setting by teach-in

Control dials (Fig. 6.1)

Time setting (stay-ON time) (Fig. 6.2/D)

The light's ON time can be set to any period from approx. 5 seconds to a maximum of 15 minutes. Any movement detected before this time elapses will restart the timer.

Note:

After the light switches OFF, it takes approx. 1 second before it is able to start detecting movement again. The light will only switch ON in response to movement once this period has elapsed.

The shortest time setting is recommended when adjusting the detection zone and performing the functional test.

Reach setting (sensitivity) (Fig. 6.2/E)

Reach is the term used to describe the diameter of the more or less circular detection zone produced on the ground after mounting the sensor-switched light at a height of 2 m.

- Control dial set to maximum = max. reach (5 m)
- Control dial set to minimum = min. reach (1 m)

Twilight setting (response threshold) (Fig. 6.2/F)

The chosen response threshold can be infinitely varied from approx. 2 to 1000 lux.


- Control dial turned fully clockwise = daylight mode (depending on ambient brightness)
- Control dial turned fully anti-clockwise = twilight operation (approx. 2 lux)

The control dial must be turned fully clockwise when adjusting the detection zone and performing the walk test in daylight.

Night-light function (Fig. 6.2/G)

The night light provides illumination at approx. 10% of full light output. The light only switches to maximum output (100%) in response to movement in the detection zone (see Time setting). The light then switches to the activated night light level.

Night light is ON when the level of light falls below the brightness threshold. Night light is always ON when daylight mode is activated.

- 0 min = soft light start / no night ON from twilight setting selected
- 10 min = soft light start + night light for 10 minutes
- 30 min = soft light start + night light for 30 minutes
-  = soft light start + night light all night long

What is soft light start?

The sensor-switched light features a soft light start function. This means that when turned ON, the light is not switched directly to maximum output but constantly builds up brightness to 100% within a short period of time. Brightness is also gradually reduced when the light is switched OFF.

Manual override function

If an optional mains switch is installed in the mains supply lead, the following functions are available in addition to simply switching light ON and OFF:

Manual override (Fig. 6.3)**1) Activate manual override:**

Switch OFF and ON twice. The light is set to manual override for 4 hours. Then it returns automatically to sensor mode.

2) Deactivate manual override:

Switch OFF and ON once. Light switches OFF or switches to sensor operation.

Important: Switching must take place within 0.2 to 1 second.

7. Maintenance / care

The product requires no maintenance.

The light can be cleaned with a damp cloth (without detergents) if dirty.

8. Disposal

Electrical and electronic equipment, accessories and packaging must be recycled in an environmentally compatible manner.



Do not dispose of electrical and electronic equipment as domestic waste.

EU countries only:

Under the current European Directive on Waste Electrical and Electronic Equipment and its implementation in national law, electrical and electronic equipment no longer suitable for use must be collected separately and recycled in an environmentally compatible manner.

9. Manufacturer's warranty

This Steinel product has been manufactured with utmost care, tested for proper operation and safety and then subjected to random sample inspection. Steinel guarantees that it is in perfect condition and proper working order. The warranty period is 36 months and starts on the date of sale to the consumer. We will remedy defects caused by material flaws or manufacturing faults. The warranty will be met by repair or replacement of defective parts at our own discretion. The warranty shall not cover damage to wear parts, damage or defects caused by improper treatment or maintenance. Further consequential damage to other objects shall be excluded.

Claims under the warranty will only be accepted if the unit is sent fully assembled and well-packed with a brief description of the fault, a receipt or invoice (date of purchase and dealer's stamp) to the appropriate Service Centre.

Repair service:

If defects occur outside the warranty period or are not covered by the warranty, ask your nearest service station for the possibility of repair.

3 YEAR
MANUFACTURER'S
WARRANTY

10. Declaration of Conformity

Hereby, STEINEL Vertrieb GmbH declares that the radio equipment type L 830/ L 835/L 840/GL 80 LED iHF is in compliance with Directive 2014/53/EU. The full text of the EU declaration of conformity is available at the following internet address: www.steinel.de

11. Technical specifications

Dimensions W x H x D

L 830 / L 835 LED iHF: 110 mm x 110 mm x 131.5 mm

L 840 LED iHF: 110 mm x 110 mm x 133.5 mm

GL 80 LED iHF: 110 mm x 633 mm x 130 mm

Mains power supply 220-240 V, 50 / 60 Hz

Output

Operation 9.5 W

Intrinsic power consumption 0.6 W

Light output (lm) L 830: 500 lm (anthracite), 608 lm (silver)
L 835: 635 lm (anthracite), 695 lm (silver)
L 840: 360 lm (anthracite), 429 lm (silver)
GL 80: 633 lm (anthracite), 693 lm (silver)

Efficiency (lm/W) L 830: 52 lm/W (anthracite), 64 lm/W (silver)
L 835: 67 lm/W (anthracite), 73 lm/W (silver)
L 840: 38 lm/W (anthracite), 45 lm/W (silver)
GL 80: 67 lm/W (anthracite), 73 lm/W (silver)

Lamp LED

Life expectancy 50,000 h

Colour temperature 3000 K

Night light Yes (OFF, 10 min, 30 min, all night)

Sensor technology (5.8 GHz, ≤ 1 mW)

Detection zone

Angle of coverage 160°

Angle of aperture 160°

Reach 1-5 m

Time setting 5 s - 15 min

Twilight setting 2-2000 lux

IP rating IP44

Protection class L 830 / L 835 / L 840 LED iHF: II
GL 80 LED iHF: I

Temperature range -20°C to +40°C

Bluetooth frequency 2.4-2.48 GHz

Bluetooth transmitter power 5 dBm / 3 mW

12. Troubleshooting

Malfunction	Cause	Remedy
Sensor-switched light without power	<ul style="list-style-type: none">■ Fuse has tripped, not switched ON, break in wiring■ short circuit	<ul style="list-style-type: none">■ Activate, change fuse, turn ON mains switch, check wiring with voltage tester■ Check connections
Sensor-switched light will not switch ON	<ul style="list-style-type: none">■ Twilight setting in night-time mode during daytime operation■ Mains switch OFF■ Fuse has tripped■ detection zone not correctly adjusted	<ul style="list-style-type: none">■ Set twilight via app or control dial■ Switch ON■ Activate, change fuse, check connection if necessary■ Set reach via app or control dial
Sensor-switched light will not switch OFF	<ul style="list-style-type: none">■ Continued movement within the detection zone	<ul style="list-style-type: none">■ Check detection zone and readjust if necessary
Sensor-switched light will not switch OFF completely	<ul style="list-style-type: none">■ Night light selected	<ul style="list-style-type: none">■ Night light control dial set to "0 min"
Sensor-switched light switching ON when it should not	<ul style="list-style-type: none">■ Wind is moving trees and bushes in the detection zone■ Cars in the street are detected	<ul style="list-style-type: none">■ Change detection zone■ Change detection zone
Sensor-switched light switches ON and OFF in an uncontrolled manner	<ul style="list-style-type: none">■ Large metal objects, such as cars or metal walls, in the detection zone	<ul style="list-style-type: none">■ Change detection zone■ e.g. park car somewhere else

1. Om detta dokument

Läs noga igenom dokumentet och förvara det väl!

- Upphovsrättsligt skyddat. Eftertryck, även delar av texten, bara med vårt samtycke.
- Ändringar som görs pga den tekniska utvecklingen, förbehålles.

Symbolförklaring



Varning för fara!



Hänvisning till textställen i dokumentet.

2. Allmänna säkerhetsanvisningar



Bryt spänningen före alla arbeten på produkten!

- Inkoppling måste utföras i spänningsfritt tillstånd. Bryt strömmen och kontrollera med spänningsprovare att alla parter är spänningslösa.
- Eftersom sensorarmaturen installeras till nätspänningen måste arbetet utföras på ett fackmannamässigt sätt enligt gällande installationsföreskrifter och anslutningskrav i respektive land.
- Använd endast originalreservdelar.
- Reparationer får bara genomföras i en auktoriserad verkstad.

3. L 830/L 835/L 840/GL 80 LED iHF

Användning

- Sensorlampa för montering på vägg både utom- och inomhus (L 830/L 835/L 840 LED iHF)
- Sensorlampa för montering på mark/golv både utom- och inomhus (GL 80 LED iHF)

Sensorlampan har en aktiv rörelsevakt. Den integrerade iHF-sensorn sänder högfrekventa elektromagnetiska vågor (5,8 GHz) och mottar deras eko. När personer rör sig inom armaturens bevakningsområde registreras ekoförändringen av sensorn. En mikroprocessor utlöser då kommandot "tänd ljuset". Detekteringen fungerar också genom dörrar, glas eller tunna väggar. Sensorn utför en signalanalys och skiljer på så vis mellan rörelser från personer och rörelser från smådjur eller objekt som buskar. Därmed utesluts feltändningar genom smådjur samt störningar pga extrema temperaturer.

1. Om dette dokumentet

Les dokumentet nøye og ta godt vare på det.

- Med opphavsrett. Ettertrykk, også i utdrag, kun med vår tillatelse.
- Det tas forbehold om endringer som tjener tekniske fremskritt.

Symbolforklaring



Advarsel om fare!



Hensvisning til tekststeder i dokumentet.

2. Generelle sikkerhetsinstrukser



Koble fra strømtilførselen før du foretar arbeider på apparatet!

- Ved montering må strømledningen som skal tilkobles, være uten spenning. Slå derfor først av strømmen og bruk en spenningstester til å kontrollere at strømtilførselen er stanset.
- Under installasjonen av sensorlampen kommer man i berøring med strømmettet. Arbeidet skal derfor utføres av fagfolk i henhold til lokale elektroinstallasjonsforskrifter og tilkoblingskrav.
- Bruk kun originale reservedeler.
- Reparasjoner skal kun utføres på autoriserte verksteder.

3. L 830/L 835/L 840/GL 80 LED iHF

Forskriftsmessig bruk

- Sensorlampe for montering på vegg ute og inne (L 830/L 835/L 840 LED iHF)
- Sensorlampe for montering på gulv ute og inne (GL 80 LED iHF)

Sensorlampen inneholder en aktiv bevegelsessensor. Den integrerte iHF-sensoren sender ut høyfrekvente elektromagnetiske bølger (5,8 GHz) og mottar ekko fra disse. Sensoren merker ekkoloranderingene når personer beveger seg i lampens dekningsområde, og en mikroprosessor utløser koblingsbefalingen «Tenn lys». Bevegelser kan også registreres gjennom dører, glassflater eller tynne vegger. Med en signalanalyse skiller sensoren mellom personer som beveger seg og objekter som busker eller smådyr som beveger seg. Demret utelukkes feilkoblinger på grunn av smådyr og driftsforstyrrelser grunnet ekstreme temperaturer.

Sensorlampens funksjoner kan stilles inn via smarttelefon og nettbrett eller stillskruer. Forbindelse via Bluetooth er mulig kun via smarttelefon eller nettbrett.

NB:

iHF-sensorens høyfrekvenseffekt er ca. 1 mW – det er kun en tusendel av sendeeffekten til en mobiltelefon eller en mikroølgeovn.

Leveringsomfang L 830/L 835/L 840 LED iHF (ill. 3.1)

- lampe
- tre skruer
- tre skrueinnsatser
- tre avstandsstykker

Produktmål L 830 LED iHF (ill. 3.2)

Produktmål L 835 LED iHF (ill. 3.3)

Produktmål L 840 LED iHF (ill. 3.4)

Apparatoversikt L 830/L 835/L 840 LED iHF (ill. 3.5)

- A** Veggbrakett
- B** Koblingsklemme
- C** Plugg
- D** Tidsinnstilling
- E** Rekkeviddeinnstilling
- F** Skumringsinnstilling
- G** Nattdlysinstilling
- H** Pluggforbindelse
- I** Lysterning

Leveringsomfang GL 80 LED iHF (ill. 3.6)

- lampe
- Profil
- Bunnplate
- Fire bunnskruer
- Fire skrueinnsatser
- Fire forbindelsesskruer

Produktmål GL 80 LED iHF (ill. 3.7)

Apparatoversikt GL 80 LED iHF (ill. 3.8)

- A** Dekkplate
- B** Koblingsklemme
- D** Tidsinnstilling
- E** Rekkeviddeinnstilling
- F** Skumringsinnstilling
- G** Nattdlysinstilling
- H** Pluggforbindelse

- I** Lysterning
- J** Jordingsklemme

Rekkevidde (ill. 3.9)

NB:

Er lampene montert for nær hverandre, kan det oppstå feilkoblinger, da de høyfrekvente signalene som sendes ut, forstyrrer hverandre (ill. 3.10 A).

Følgende tiltak bidrar til å unngå denne feilen:

- Monter lampene med minst 5 m avstand fra hverandre.
- Koble sammen lampene via Smart Remote-appen og slå sensoren på enkelte lamper målrettet av via Sensor-Off-funksjonen (ill. 3.10 B + C). Sammenkoblingen gjør at lampene med deaktivert sensor også tennes ved bevegelse.

4. Elektrisk tilkobling

Koblingskjema (ill. 4.1)

Nettledningen består av en 2-3 ledet kabel:

L = fase (som regel svart eller brun)

N = fase (som regel blå)

PE = jordleder (grønn/gul)

I tvilstilfeller må kablen kontrolleres med en spenningstester; deretter slås strømtilførselen av igjen. Fase (**L**) og nulleder (**N**) kobles til kroneklemmen. Isoler jordlederen (**PE**) og legg den ved.

På GL 80 LED iHF må jordlederen (**PE**) kobles til jordingsklemmen.

Viktig: Forvexles koblingene, vil dette senere føre til kortslutning i apparatet eller i sikringsskapet. I så tilfelle må de enkelte kablene identifiseres og monteres på nytt. Det kan selvsagt monteres en bryter på nettledningen til å slå AV og PÅ.

Lyskilden i denne lampen kan ikke skiftes ut. Dersom lyskilden skal erstattes (f.eks. mot slutten av levetiden), må hele lampen skiftes ut.

5. Montering

- Kontroller alle komponenter for skader.
- Ikke ta produktet i bruk dersom det er skadet.
- Påse at sensorlampen monteres slik at den ikke er utsatt for vibrasjoner.
- Velg et egnet monteringssted og ta hensyn til rekkevidde og bevegelsesregistrering.

Fremgangsmåte ved montering (L 830/L 835/L 840 LED iHF)

- Slå av strømtilførselen (ill. 4.1).
- Løsne sikringsskruene og ta lysterne av veggbraketten. (ill. 5.1).
- Tegn borehull (ill. 5.2)
- Bør hull og sett inn pluggen (ill. 5.3).
- Trykk inn tetningspluggen.
- Montering ved skjult ledningsføring (ill. 5.4)
- Montering ved åpen ledningsføring (ill. 5.5)
- Koble til ledningen (ill. 5.6)
- Still inn → «6. Funksjon» (kun stillskruer)
- Sett lysterne på veggbraketten (ill. 5.7)
- Skru inn sikringsskruene (ill. 5.7)
- Slå på strømtilførselen (ill. 5.7)

Fremgangsmåte ved montering (GL 80 LED iHF)

- Slå av strømtilførselen (ill. 4.1)
- Løsne sikringsskruen og ta lysterne av dekslet (ill. 5.8)
- Trekk kablet gjennom bunnholderen og profilen (ill. 5.9)
- Skru sammen bunnholderen og profilen (ill. 5.10)
- Tegn borehull på bunnplaten (ill. 5.11)
- Bør hull og sett inn pluggen (ill. 5.12)
- Skru bunnholderen fast til bunnen (ill. 5.13)
- Skru dekslet på profilen (ill. 5.14)
- Koble til ledningen (ill. 5.15)
- Still inn → «6. Funksjon» (kun stillskruer)
- Sett lysterne på dekslet (ill. 5.16)
- Skru inn sikringsskruen (ill. 5.16)
- Slå på strømtilførselen (ill. 5.16)

6. Funksjon

Fabrikkinnstillinger:

- Tidsinnstilling: 5 sekunder
- Rekkeviddeinnstilling: 5 meter
- Skumringsinnstilling: 2000 lux
- Natly: PÅ

Funksjoner kan stilles inn via Smart Remote-app eller stillskruer.

Merk: De innstillingene som ble foretatt på sist brukte betjeningselement, gjelder.

Smart Remote-app

For å konfigurere lampen med smarttelefon eller nettbrett må du laste ned STEINEL Smart Remote-appen fra din app-butikk. Du trenger en Bluetooth-aktivert smarttelefon eller nettbrett.

Android



iOS



Tilleggsfunksjoner kun ved bruk av Smart Remote-appen:

- Hovedlys-/natlysnivå kan stilles inn
- Utvidet rekkeviddeinnstilling
- Gruppesammenkobling
- Skumringsinnstilling med teach-in

Stillskruer (ill. 6.1)

Tidsinnstilling (belysningstid) (ill. 6.2/D)

Ønsket belysningstid kan stilles trinnløst inn fra ca. 5 sek. til maks. 15 min. Tidsuret starter på nytt hvis den registrerer noen form for bevegelse før denne tiden er utløpt.

NB:

Etter hver utkoblingsprosess er en ny bevegelsesregistrering avbrutt i ca. 1 sekund. Først når denne tiden er gått, kan lampen tenne lys ved bevegelse igjen. Ved innstilling av registreringsområdet og for funksjonstesten anbefales det å stille inn kortest mulig tid.

Rekkeviddeinnstilling (reaksjonsnivå) (ill. 6.2/E)

Med begrepet rekkevidde menes den omtrent sirkelformede diameteren på bakken som utgjør dekningsområdet når lampen monteres i 2 m høyde.

- Stillskruer maks. = maks. rekkevidde (5 m)
- Stillskruer min. = min. rekkevidde (1 m)

Skumringsinnstilling (reaksjonsnivå) (ill. 6.2/F)

Ønsket reaksjonsnivå for lampen kan stilles inn trinnløst fra ca. 2 til 1000 lux.

- Stillskruen vridd helt til høyre = dagslysmodus (uavhengig av lysstyrke)
- Stillskruen vridd helt til venstre = skumringsdrift (ca. 2 lux)

Ved innstilling av dekningsområdet og for funksjonstesten i dagslys må stillskruen være vridd helt til høyre.

Nattlysfunksjon (ill. 6.2/G)


Nattlyset gir en belysning med ca. 10 % belysningseffekt. Først når det er bevegelse i dekningsområdet, tennes lyset for innstilt tid (se tidsinnstilling) med maks. belysningseffekt (100 %). Deretter kobles lampen om til aktivert nattlys.

Nattlyset er PÅ dersom nominell verdi for lysstyrke underskrides. Nattlyset er alltid PÅ ved aktivert dagslysmodus.

0 min. = softstart / nattlys ikke PÅ fra en innstilt skumringsverdi

10 min. = softstart + nattlys i 10 minutter

30 min. = softstart + nattlys i 30 minutter

 = softstart + nattlys hele natten

Hva er soft-lysstart?

Sensorkampen har en softstart-funksjon. Dette innebærer at lyset ikke tennes med maksimal effekt når lampen slås på, men at lysstyrken reguleres jevnt opp til 100 % i løpet av kort tid. På samme måte dempes lyset langsomt når lampen slås av.

Permanent lys

Dersom det monteres en nettbryter (ekstrautstyr) på nettledningen, har man følgende funksjoner i tillegg til enkel inn- og utkobling:

Permanent lys (ill. 6.3)

1) Tenne permanent lys:

Slå bryteren 2 x AV og PÅ. Lampen tennes med permanent lys i 4 timer.

Deretter går den automatisk over i sensordrift igjen.

2) Slukke permanent lys:

Bryter 1 x AV og PÅ. Lampen slås AV eller går over til sensordrift.

Viktig: Koblingsprosessene må finne sted innen 0,2 til 1 sekund.

7. Vedlikehold/stell

Produktet er vedlikeholdsfritt.

Skulle lampen bli skitten, kan den rengjøres med en fuktig klut (uten rengjøringsmiddel).

8. Avfallsbehandling

Elektriske apparater, tilbehør og emballasje skal resirkuleres på en miljøvennlig måte.



Ikke kast elektriske apparater i husholdningsavfallet.

Gjelder kun EU-land:

I henhold til gjeldende europeiske retningslinjer for elektriske apparater og brukte elektriske apparater, og i samsvar med nasjonal lovgivning, skal elektriske apparater som ikke lenger kan benyttes, samles opp atskilt fra annet søppel og gjenvinnes på en miljøvennlig måte.

9. Produsentgaranti

Dette Steinel-produktet er fremstilt med største nøyaktighet. Det er testet mht. funksjon og sikkerhet i henhold til gjeldende forskrifter og deretter underkastet en stikkprøvekontroll. Steinel gir full garanti for feilfri kvalitet og funksjon. Garantitiden utgjør 36 måneder, regnet fra dagen apparatet ble solgt til forbrukeren. Vi utbedrer mangler som kan føres tilbake til fabrikkasjonsfeil eller feil ved materialene. Garantien ytes ved reparasjon eller ved at deler med feil byttes ut. Garantien bortfaller ved skader på slitasjedeler, eller ved skader eller mangler som er oppstått som følge av ukyndig bruk eller vedlikehold. Følgeskader ved bruk (skader på andre gjenstander) dekkes ikke av garantien. Garantien ytes bare hvis hele apparatet pakkes godt inn og sendes til importøren. Legg ved en kort beskrivelse av feilen samt kvittering eller regning (kjøpsdato og forhandlers stempel).

Reparasjonsservice

Etter garantitidens utløp, eller ved mangler som ikke dekkes av garantien, kan du spørre forhandleren om muligheter for reparasjon.

3 ÅRS
PRODUSENT
GARANTI

10. Samsvarserklæring

Herved erklærer STEINEL Vertrieb GmbH at det trådløse anlegget av type L 830/L 835/L 840/GL 80 LED IHF oppfyller kravene i direktiv 2014/53/EU. Den komplette teksten i EU-samsvarserklæringen finnes på følgende internettside: www.steinell.de

11. Tekniske spesifikasjoner

Mål b x h x d		
L 830/L 835 LED iHF:	110 mm x 110 mm x 131,5 mm	
L 840 LED iHF:	110 mm x 110 mm x 133,5 mm	
GL 80 LED iHF:	110 mm x 633 mm x 130 mm	
Spenning	220-240 V, 50/60 Hz	
Effekt		
Modus	9,5 W	
Egetforbruk	0,6 W	
Lyseffekt (lm)	L 830: 500 lm (antrasitt), 608 lm (sølv) L 835: 635 lm (antrasitt), 695 lm (sølv) L 840: 360 lm (antrasitt), 429 lm (sølv) GL 80: 633 lm (antrasitt), 693 lm (sølv)	
Effektivitet (lm/W)	L 830: 52 lm/W (antrasitt), 64 lm/W (sølv) L 835: 67 lm/W (antrasitt), 73 lm/W (sølv) L 840: 38 lm/W (antrasitt), 45 lm/W (sølv) GL 80: 67 lm/W (antrasitt), 73 lm/W (sølv)	
Lyselement	LED	
Levetid	50 000 t	
Fargetemperatur	3000 K	
Nattlys	Ja (av, 10 min., 30 min., hele natten)	
Sensorteknologi	(5,8 GHz, ≤ 1 mW)	
Dekningsområde		
Dekningsvinkel	160°	
Åpningsvinkel	160°	
Rekkevidde	1-5 m	
Tidsinnstilling	5 sek. - 15 min.	
Skumringsinnstilling	2-2000 lux	
Kapslingsgrad	IP 44	
Kapslingsklasse	L 830/L 835/L 840 LED iHF:	II
	GL 80 LED iHF:	I
Temperaturområde	-20 til +40°C	
Frekvens Bluetooth	2,4-2,48 GHz	
Sendeeffekt Bluetooth	5 dBm / 3 mW	

12. Driftsfeil

Feil	Årsak	Tiltak
Sensorlampen har ikke spenning	■ Sikringen er gått, ikke slått på, brudd på ledningen ■ Kortslutning	■ Aktiver sikringen, sett i ny, slå på ledningsbryteren, kontroller ledningen med spenningstester ■ Kontroller koblingene
Sensorlampen tennes ikke	■ Ved dagmodus; skumringsinnstilling står på nattmodus ■ Nettbryter er AV ■ Sikringen har reagert ■ Dekningsområdet er ikke nøyaktig innstilt	■ Still inn skumring via app eller stillskrue ■ Slå PÅ ■ Aktiver sikringen, sett i ny, kontroller ev. koblingene ■ Still inn rekkevidde via app eller stillskrue
Sensorlampen slukkes ikke	■ Permanente bevegelser i dekningsområdet	■ Kontroller området og innstill evt. på nytt
Sensorlampen slukkes ikke helt	■ Nattlys er innstilt	■ Stillskruen for nattlys på «0 min»
Sensorlampen tennes når den ikke skal	■ Vind beveger trær og busker i dekningsområdet ■ Biler på veien registreres	■ Juster området ■ Juster området
Sensorlampen tennes og slukkes ukontrollert	■ Det er større metallgjenstander som f.eks. biler eller metallvegger i dekningsområdet	■ Juster området ■ Flytt f.eks. bilen