

STEINEL Vertrieb GmbH
Dieselstraße 80-84
33442 Herzebrock-Clarholz
Tel: +49/5245/448-188
www.steinel.de



Contact

www.steinel.de/contact



110052565_03/2020_A Technische Änderungen vorbehalten. / Subject to technical modification without notice.



STEINEL®
PROFESSIONAL



Application Controller

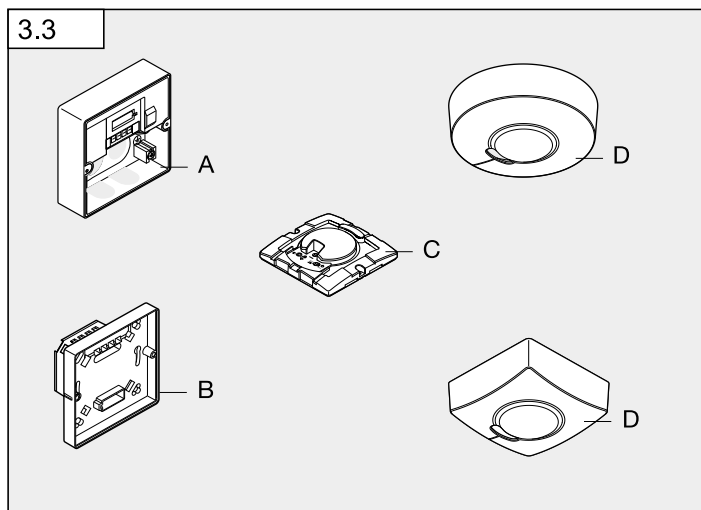
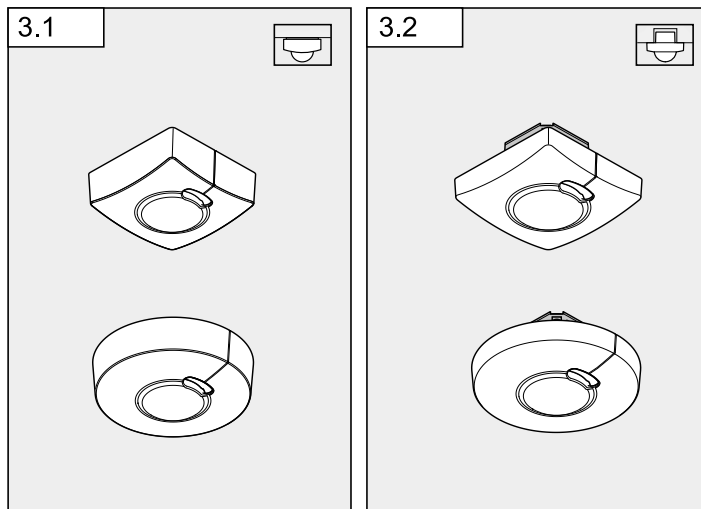
Information

HF 3360

DE
GB
FR
NL
IT
ES
PT
SE
DK
FI
NO
GR
TR
HU

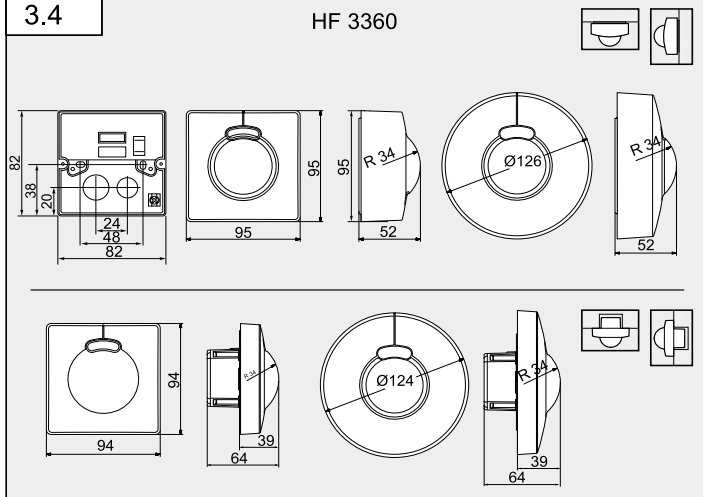


- DE 12 Textteil beachten!
GB 21 Follow written instructions!
FR 29 Se référer à la partie texte !
NL 37 Neem de tekstpassage in acht!
IT 45 Leggere attentamente le istruzioni!
ES 53 ¡Téngase en cuenta el texto!
PT 61 Siga as instruções escritas!
SE 69 Iaktta texten!
DK 77 Følg den skriftlige vejledning!
FI 85 Huomaa tekstiosio!
NO 93 Se de skriftlige instruksene!
GR 101 Τηρείτε γραπτές οδηγίες!
TR 109 Metin kısmını dikkate alın!
HU 117 Szöveges részre figyelni!

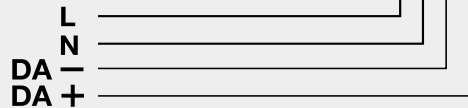
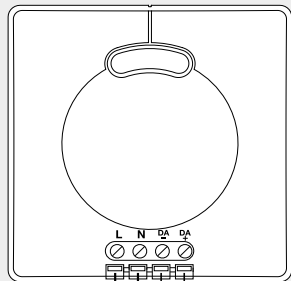


3.4

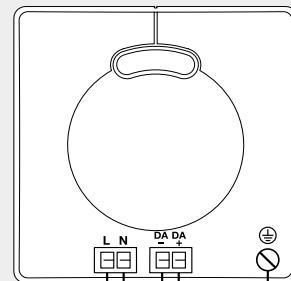
HF 3360



4.1



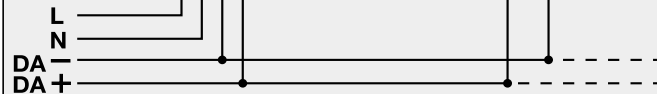
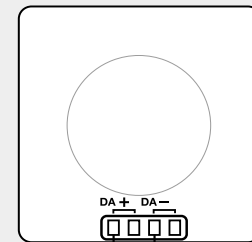
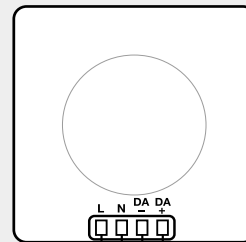
4.2



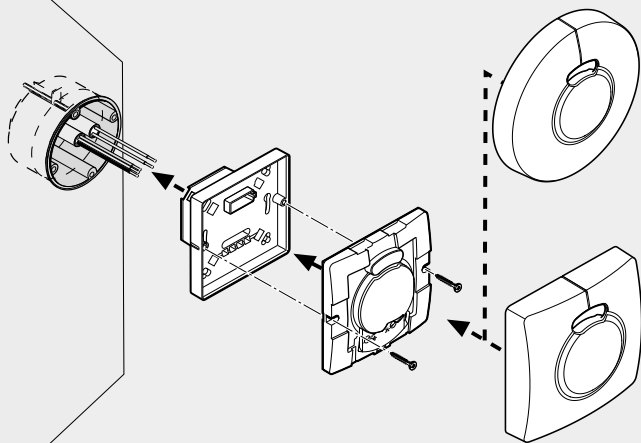
4.3

Master

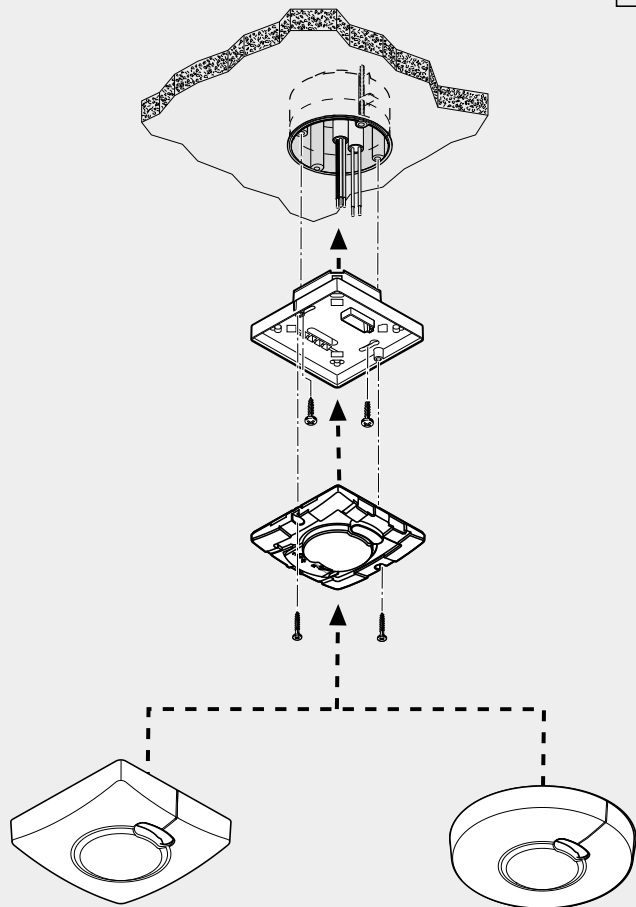
Slave



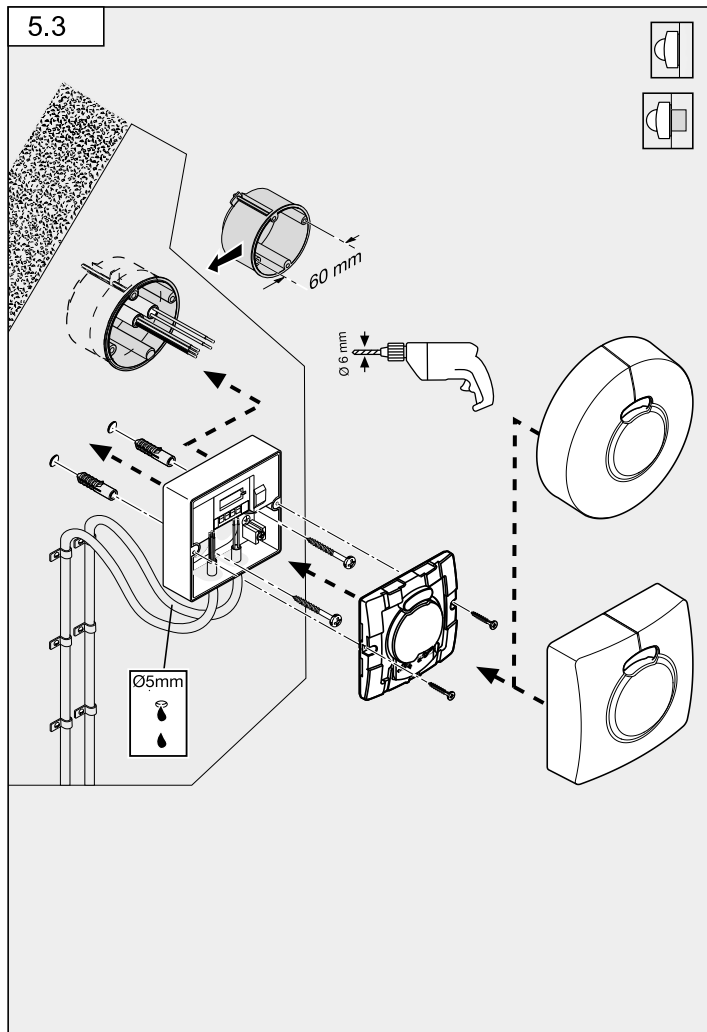
5.1



5.2

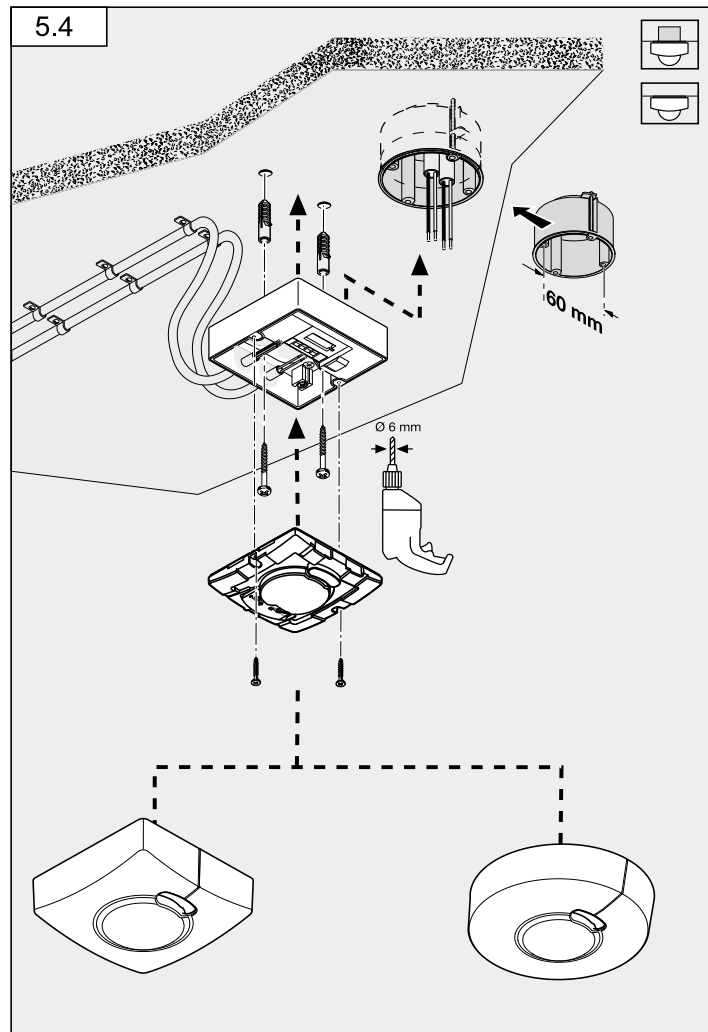


5.3



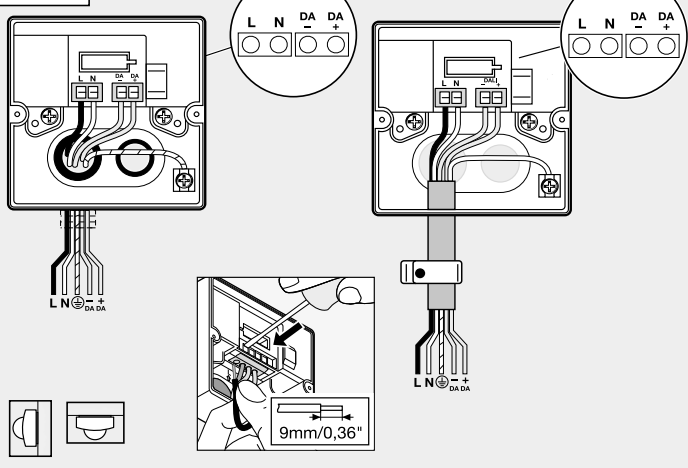
8

5.4

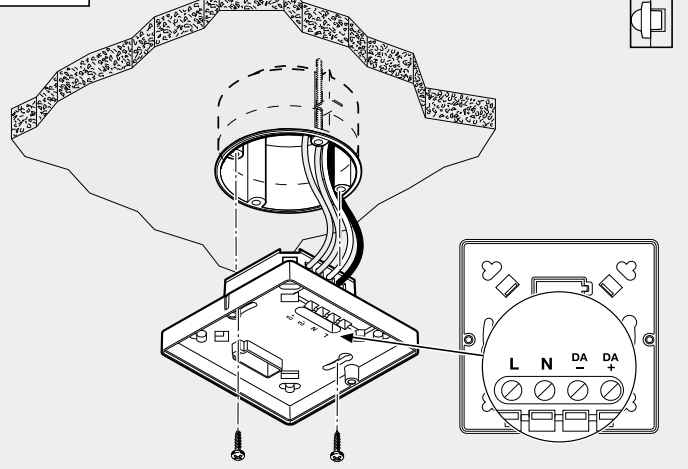


9

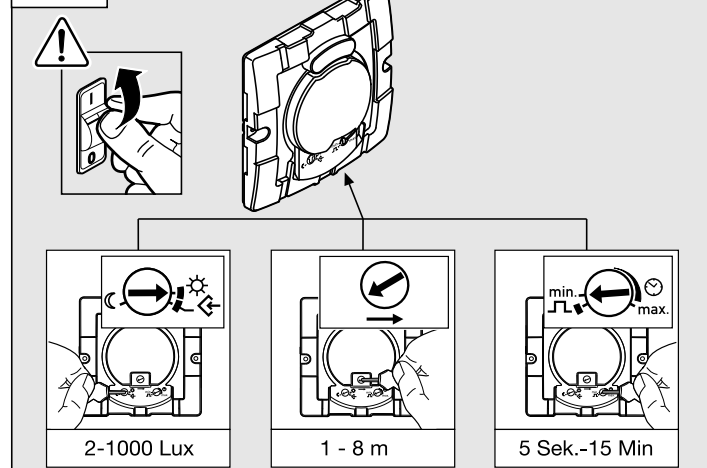
5.5



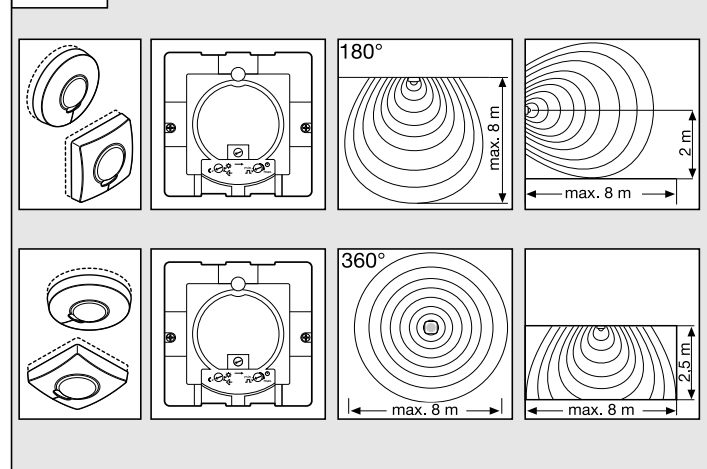
5.6



6.1



6.2



1. About this document

- Please read carefully and keep in a safe place.
- Under copyright. Reproduction either in whole or in part only with our consent.
- Subject to change in the interest of technical progress.

Symbols



Hazard warning!



Reference to other information in the document.

2. General safety precautions



Disconnect the power supply before attempting any work on the sensor.

- During installation, the electric power cable to be connected must not be live. Therefore, switch off the power first and use a voltage tester to make sure the wiring is off-circuit.
- Installing the sensor involves work on the mains power supply. This work must therefore be carried out professionally in accordance with national wiring regulations and electrical operating conditions. (DE - VDE 0100, AT - ÖVE-EN 1, CH - SEV 1000)

3. HF 3360

Proper use

- Sensor suitable for indoor wall and ceiling-mounting

The HF 3360 is an active motion detector. It responds to the slightest movement regardless of temperature. The integrated HF sensor emits high-frequency electromagnetic waves (5.8 GHz) and receives their echo. In response to the slightest movement in the detection zone, the change in echo is perceived by the sensor. A microprocessor then issues the switch command "switch light ON". Detection is possible through doors, panes of glass or thin walls.

Optionally, all function settings can be made via the RC5, RC8 remote controls as well as the Smart Remote. (→ "7. Accessories")

Package contents for concealed installation (Fig. 3.1)

Package contents for surface-mounted installation (Fig. 3.2)

Product components (Fig. 3.3)

- A** Load module, power supply lead, surface-mounted
- B** Load module, power supply lead, concealed installation
- C** Designer trim, round or square
- D** Sensor module

Product dimensions

Ceiling / wall mounting / surface-mounted and concealed wiring (Fig. 3.4)

4. Electrical installation

The supply lead consist of three wires:

- L** = phase conductor (usually black, brown or grey)
- N** = neutral conductor (usually blue)
- PE** = protective-earth conductor (green/yellow)
- DA- / DA+** = connection to the DALI BUS

Wiring example (Fig. 4.1/4.2)

- Surface-mounted installation

If the rubber seal is damaged, the cable entry openings must be sealed with an M 16 or M 20 (at least IP 54) double seal cable gland.

For mounting on the wall, a condensation water drainage hole (Ø 5 mm drill bit) is marked next to the rubber seal. This must be opened if necessary. (Fig. 5.3)

An optional corner wall mount is available for mounting the HF 3360 (Prod. No. 035174 white).

Master/slave (Fig. 4.3)

The HF 3360 is suitable for use in master/slave networks. In this case, the DALI sensor is the master, the DALI 2 ID the slave.

The master/slave configuration permits detection of movement in larger rooms or spaces (load connected = master, no load = slave). The level of brightness prevailing in the room is only evaluated at the master. The slaves report movements detected to the master. Lighting is only switched ON and OFF by the master.

Note: for LiveLink/DALI2 sensors please pay attention to the power consumption of individual sensors so as to make sure that the maximum available current is not exceeded.

The HF 3360 DALI2 APC is certified under IEC 62386-103 as a single-master application controller. This means that its DALI 2 certification only covers applications in which only DALI control gears are connected to the DALI bus. We furthermore guar-

antee that the presence detector is also suitable for use in multi-master applications with DALI2 input devices for extending the detection zone. For further information in this regard, please refer to the Master/Slave section. At this points we expressly point out that no DALI2 certification is available for using the product in a DALI bus system with several control devices.

5. Mounting

- Check all components for damage.
- Do not use the product if it is damaged.
- Select an appropriate mounting location, taking the reach and motion detection into consideration.

Installation procedure

Wall-mounting, concealed power supply lead (Fig. 5.1)

Ceiling mounting, concealed power supply lead (Fig. 5.2)

Wall-mounting, surface-mounted power supply lead (Fig. 5.3)

Ceiling mounting, surface-mounted power supply lead (Fig. 5.4)

- Switch OFF power supply.
- Detach designer trim from sensor module.
- Disconnect sensor module from the load module.
- Connect to mains power supply.
 - Surface-mounted power supply lead (Fig. 5.5)
 - Concealed power supply lead (Fig. 5.6)
- Insert fastening screw and mount load module.
- Fit sensor and load module together and screw into place.
- Switch ON power supply.
- Set functions. (→ "6. Function")
- Fit designer trim.

6. Function / operation**Factory settings**

Twilight level:	1000 lux
Reach adjustment:	approx. 1 m
Time setting:	5 s
Main light:	80%

Constant light

Provides a constant level of brightness. The detector measures the prevailing level of daylight and activates sufficient artificial light to achieve the required level of brightness. As daylight changes, the added artificial lighting component is adjusted.

In addition to the daylight component, artificial light is also switched ON and OFF in relation to whether or not persons are present.

Constant-lighting control can be activated / deactivated via RC8 remote control and Smart Remote.


Twilight setting (Fig. 6.1)

The chosen sensor response threshold is infinitely adjustable from approx. 2 to 1000 lux.

Control dial set to ☾ means twilight mode at approx. 2 lux.

Control dial set to ☼ means daylight operation / independent of ambient light level.

Teach mode

The control must be set to  at the level of light at which you want the sensor to respond to movement from now on. The level of ambient brightness measured in this way will be saved after 10 seconds.

Dazzle guard

This product is equipped with an integrated dazzle guard. If blinded by extraneous light, this puts the sensor into a brightness-related evaluation mode for 60 s.

(→ "13. Troubleshooting").

LED function

- Normal mode: LED stays OFF
- Test mode: LED lights up on detecting movement
- Remote control: LED flashes approx. 10 times per second
- Permanently ON/OFF: LED ON

Reach setting (Fig. 6.1)

Continuously adjustable

- Control dial set to maximum = max. reach (approx. Ø 8 m)
- Control dial set to minimum = min. reach (approx. Ø 1 m)

Reach diagram (Fig. 6.2)

Time setting (Fig. 6.1)

The time you want the connected lamp to stay ON for is infinitely adjustable from approx. 5 sec to a maximum of 15 min. Any movement detected before this time elapses will restart the timer.

7. Accessories (optional)

User remote control RC 5 EAN 4007841 592806

Additional functions RC 5

- Light ON/OFF 4 h
- User reset
- 100 h burn in, 4 h light ON press for ≥ 5 s
- DIM1 - / DIM1 +
- Save scene 1
- Activate scene 1
- Save scene 2
- Activate scene 2

Service remote control RC 8 EAN 4007841 559410

Additional functions RC 8

- Time setting CH 1
- Test / normal mode
- Light-level setting: teach
- Night-time operation
- Daylight operation
- Teach-IN
- Reset
- Basic brightness: OFF, night, 1 = 10% ... 6 = 60%, press for ≥ 5 s

Smart Remote EAN 4007841 009151

- Replaces remote controls RC 5 and RC 8
- Control via smartphone or tablet
- Load appropriate app and connect via Bluetooth
- Identify the sensors and read parameters

Additional functions Smart Remote

- Reach: min, 1 - 100%
- Time setting: 5, 10, 15...60 s - 60 min
- Twilight setting: 2 - 1000 lux
- Basic brightness: ON, 10 - 30 min
- Basic brightness level: 10% - 50%
- Main light level: 50% - 100%
- Initial state: behaviour after applying the light ON/OFF supply voltage
- Normal sens
- Low sens
- Burn in
- Sensor

Detailed descriptions are provided in the operating instructions for the particular remote control.

8. Operation / maintenance

The sensor is suitable for switching on a light automatically. The unit is not suitable for burglar alarm systems as it is not tamperproof in the manner prescribed for such systems. The surface can be cleaned with a damp cloth (without detergents) if dirty.

9. Disposal

Electrical and electronic equipment, accessories and packaging must be recycled in an environmentally compatible manner.



Do not dispose of electrical and electronic equipment as domestic waste.

EU countries only:

Under the current European Directive on Waste Electrical and Electronic Equipment and its implementation in national law, electrical and electronic equipment no longer suitable for use must be collected separately and recycled in an environmentally compatible manner.

10. Declaration of Conformity

Hereby, STEINEL Vertrieb GmbH declares that the radio equipment type HF 3360 is in compliance with Directive 2014/53/EU. The full text of the EU declaration of conformity is available at the following internet address: www.steinel.de

11. Manufacturer's Warranty

As purchaser, you are entitled to your statutory rights against the vendor. If these rights exist in your country, they are neither curtailed nor restricted by our Warranty Declaration. We guarantee that your STEINEL Professional sensor product will remain in perfect condition and proper working order for a period of 5 years. We guarantee that this product is free from material-, manufacturing- and design flaws. In addition, we guarantee that all electronic components and cables function in the proper manner and that all materials used and their surfaces are without defects.

Making Claims

If you wish to make a claim, please send your product complete and carriage paid with the original receipt of purchase, which must show the date of purchase and product designation, either to your retailer or contact us at **STEINEL (UK) Limited, 25 Manasty Road, Axis Park, Orton Southgate, Peterborough, PE2 6UP**, for a returns number. For this reason, we recommend that you keep your receipt of purchase

in a safe place until the warranty period expires. STEINEL shall assume no liability for the costs or risks involved in returning a product.

For information on making claims under the terms of the warranty, please go to www.steinel-professional.de/garantie

If you have a warranty claim or would like to ask any question regarding your product, you are welcome to call us at any time on our Service Hotline **01733 366700**.

5 YEAR
MANUFACTURER'S
WARRANTY

12. Technical specifications

Dimensions (L x W x H)	Surface-mounted installation, round Ø	126 x 52 mm
	Surface-mounted installation, square	95 x 95 x 52 mm
	Concealed installation, round Ø	124 x 64 mm
	Concealed installation, square	94 x 94 x 64 mm
Mains power supply	220 - 240 V, 50 / 60 Hz max. 2.5 mm ²	
Angle of coverage	360° with 180° angle of aperture	
Application	inside buildings	
Sensor system	5.8 GHz high frequency	
Transmitter power	approx. 1 mW	
Time setting	5 s - 15 min	
DALI output	2-core control cable, single-master controller/broadcast application	
	Guaranteed supply current	60 mA
	Maximum supply current	250 mA
User-friendly DALI function, Basic brightness	ON, OFF, 10 - 30 min, all night, 10 - 50%	
Twilight setting	2-1000 lux + teach mode	
Manual override (permanent light)	selectable (4 h)	
IP rating	Surface-mounted: IP54	Concealed: IP20
Temperature range	- 20°C to + 50°C	
Mounting height	2 - 2.8 m	

13. Troubleshooting

Malfunction	Cause	Remedy
No power at the sensor	<ul style="list-style-type: none"> ■ Fuse faulty, not switched ON ■ Short circuit ■ Additional two-way switch OFF ■ Fuse faulty 	<ul style="list-style-type: none"> ■ Replace fuse, turn ON power switch, check lead with voltage tester ■ Check connections ■ Switch ON ■ New fuse, check connections if necessary
Sensor will not switch ON	<ul style="list-style-type: none"> ■ Bulb faulty ■ Twilight setting set to night-time mode during daytime operation ■ Additional two-way switch OFF ■ Fuse faulty 	<ul style="list-style-type: none"> ■ Change bulb ■ Adjust setting ■ Switch ON ■ Fit new fuse, check connection if necessary
Sensor will not switch OFF	<ul style="list-style-type: none"> ■ Continuous movement in the detection zone ■ Manual override activated (red LED lights up) ■ Another sensor is parallel-connected and still active 	<ul style="list-style-type: none"> ■ Check zone ■ Deactivate manual override ■ Wait for time setting of the other sensor to elapse
Sensor keeps switching ON/OFF	<ul style="list-style-type: none"> ■ Curtains, plant etc. moving in the sensor's detection zone causing the sensor to respond ■ Sensor near Wi-Fi or other wireless communication source 	<ul style="list-style-type: none"> ■ Check zone ■ Install at least 2 m away from the wireless communication source

1. Om detta dokument

- Läs noga igenom dokumentet och förvara det väl!
- Upphovsrättsligt skyddat.
Eftertryck, även delar av texten, bara med vårt samtycke.
- Ändringar som görs pga den tekniska utvecklingen, förbehålles.

Symbolförklaring



Varning för fara!



Hänvisning till textställen i dokumentet.

2. Allmänna säkerhetsanvisningar



Bryt spänningen före alla arbeten på sensorn!

- Under monteringen måste den elektriska ledningen som skall anslutas vara spänningsfri. Bryt strömmen och kontrollera med spänningsprovare att alla parter är spänningsfria.
- Eftersom sensorn installeras till nätspänningen, måste arbetet utföras på ett fackmannamässigt sätt enligt gällande installationsföreskrifter och anslutningskrav i respektive land. (**DE** - VDE 0100, **AT** - ÖVE-EN 1, **CH** - SEV 1000)

3. HF 3360

Ändamålsenlig användning

- Sensor för tak- och väggmontage inomhus

HF 3360 är en aktiv rörelsevakt. Den reagerar på minsta rörelse oberoende av temperaturen. Den integrerade HF-sensorn sänder högfrekventa elektromagnetiska vågor (5,8 GHz) och mottar deras eko. Vid minsta rörelse i bevakningsområdet registreras ekoförändringen av sensorn. En mikroprocessor utlöser då kommandot "tänd ljuset". Detekteringen fungerar också genom dörrar, glas eller tunna väggar.

Alla funktionsinställningar kan göras via fjärrkontroll RC5, RC8 samt Smart Remote. (→ "7. Tillbehör")

Innehåll infällt montage (**bild 3.1**)

Innehåll utanpåliggande montage (**bild 3.2**)

Översikt över enheter (bild 3.3)

- A Inkopplingsbox utanpåliggande kabel
- B Inkopplingsbox kabel infällt montage
- C Dekorram rund eller kantig
- D Sensorenhet

Produktmått

Tak/väggmontage utanpåliggande och infällt (bild 3.4)

4. Elektrisk installation

Nätanslutningens matarledning består av en 3-ledarkabel:

- L = Fas (oftast svart, brun eller grå)
- N = Neutralledare (oftast blå)
- PE = Skyddsledare (grön/gul)
- DA- / DA+ = Anslutning till DALI-BUS

Anslutningsexempel (bild 4.1/4.2)

– Utanpåliggande variant

Vid skador på tätningsgummit måste öppningarna för kabelgenomföringen tätas med en dubbel membranhylsa M 16 resp. M 20 (minst IP 54).

För väggmontaget finns ett kondensvattenhåll bredvid tätningsgummit (Ø 5 mm borr). Öppna det vid behov. (bild 5.3)

Ett hörnfäste för montage av HF 3360 finns som tillbehör. (art.-nr 035174 vit).

Master/Slav (bild 4.3)

HF 3360 är lämplig att användas i Master/Slav nät. DALI-sensorn är master, DALI 2 ID är slav.

Master/slav-kopplingen är lämplig att användas i större rum (ansluten last = master, ingen last = slav). Belysningen/ventilationen ansluts till mastern, medan slavesensorn bara används för detektering. Slavenheten kommer endast att skicka en signal till mastern, att den har detekterat närvaro oavsett inställda värden på slavenheten. Belysningen tänds och släcks enbart via mastern.

Hänvisning: När det gäller DALI2-sensorerna får strömförbrukningen för varje enskild sensor inte överstiga den ström som maximalt finns till förfogande.

HF 3360 DALI2 APC är certifierad enligt IEC 62386-103 som single-master applica-tion controller. Därmed omfattar dess DALI2-certifiering enbart användningar där ute-slutande DALI EFD ("control gear") är anslutna till DALI-bussen. Därutöver garanterar vi, att närvarovakten även behåller multi-master-driften med DALI2 Input Devices

för utvidgning av området. Mer information om detta hittar du i avsnittet Master/Slave. Här vill vi uttryckligen påpeka, att för användningen av DALI-buss med flera styrenhet-er ("control devices") finns ingen DALI2-certifiering.

5. Montage

- Kontrollera samtliga delar med avseende på skador.
- Är produkten skadad får den inte tas i bruk.
- Välj en lämplig montageplats med hänsyn till räckvidden och rörelsedetekteringen.

Montageordning

Väggmontage kabel infällt montage (bild 5.1)

Takmontage kabel infällt montage (bild 5.2)

Väggmontage kabel utanpåliggande montage (bild 5.3)

Takmontage kabel utanpåliggande montage (bild 5.4)

- Stäng av strömförsörjningen.
- Skilj sensorenheten från dekorramen.
- Skilj sensorenheten från inkopplingsboxen.
- Anslut nätspänningen.
 - utanpåliggande kabel (bild 5.5)
 - infälld kabel (bild 5.6)
- Sätt i fästskruvarna och montera inkopplingsboxen.
- Skruva ihop sensorn och inkopplingsboxen.
- Slå till spänningen.
- Företa funktionsinställningarna. (→ "6. Funktion")
- Sätt på dekorramen.

6. Funktion/Hantering

Fabriksinställningar

Skyrningsinställning:	1000 lux
Inställning av räckvidden:	ca 1 m
Efterlystid:	5 sek
Normalljus:	80 %

Konstantljus

Funktion för konstant ljusnivå. Sensorn mäter omgivningens ljusnivå och dimrar anslutna armaturer så att inställd ljusnivå uppnås. Ändras dagsljusandelen, anpassas det inkopplade konstgjorda ljuset. Sensorn tänds och släcker också belysningen styrt av närvaro. Konstantljusregleringen kan aktiveras/avaktiveras via RC8-fjärrkon-trollen och Smart-Remote.

Skymningsinställning (bild 6.1)

Sensorns önskade aktiveringsnivå kan steglöst ställas in från ca 2 till 1000 lux.

Ställskruven på ☾ betyder skymningsdrift ca 2 lux.

Ställskruven på ☼ betyder dagsljusdrift/oberoende av omgivningsljuset.

Teach-läge ☞

Ställ ställskruven på ☞ för de ljusförhållanden där du önskar att sensorn sedan ska reagera på rörelser. Efter 10 sek sparas det uppmätta värdet för omgivningens ljusnivå.

Bländskydd

Denna produkt är utrustad med ett integrerat bländskydd. Vid inverkan av främmande ljus kopplar skyddet sensorn i 60 sek till en sensorutvärdering som är oberoende av ljusnivån. (→ "13. Driftstörningar")

LED funktion

- Normaldrift: LED uteblir
- Testdrift: LED lyser vid detekterad rörelse
- Fjärrkontroll: LED blinkar ca 10 gånger per sekund
- Permanent TILL/FRÅN: LED lyser

Inställning av räckvidden (bild 6.1)

Kan ställas in steglöst

- Ställskruv maximal = max. räckvidd (ca Ø 8 m)
- Ställskruv minimal = min. räckvidd (ca Ø 1 m)

Räckviddsdiagram (bild 6.2)

Efterlystid (bild 6.1)

Den anslutna armaturens efterlystid kan ställas in steglöst från ca 5 sek till max. 15 min. Genom varje registrerad rörelse som sker innan denna tid löpt ut, startar tiduret på nytt.

7. Tillbehör (tillval)

Användarfjärrkontroll RC5 EAN 4007841 592806

Extra funktioner RC5

- Ljuset TÄNDS/SLÄCKS 4 h
- User-Reset
- 100 h burn in, 4 h ljus TILL ≥ tryck i 5 sek
- DIM1 - / DIM1 +

- Spara scenario 1
- Aktivera scenario 1
- Spara scenario 2
- Aktivera scenario 2

Servicefjärrkontroll RC8 EAN 4007841 559410

Extra funktioner RC8

- Efterlystid CH 1
- Testdrift/normal drift
- Skymningsinställning: teach
- Nattdrift
- Dagsljusdrift
- Teach-IN
- Reset
- Grundljusnivå: FRÅN, natt, 1 = 10% ... 6 = 60%, ≥ tryck i 5 sek

Smart Remote EAN 4007841 009151

- Ersätter fjärrkontrollerna RC5 och RC8
- Styrning via smartphone eller surfplatta
- Ladda ner den passande appen och anslut via Bluetooth
- Identifiera sensorn och utläsa parametern

Extra funktioner Smart Remote

- Räckvidd: min, 1 – 100 %
- Efterlystid: 5, 10, 15...60sek – 60 min
- Skymningsinställning: 2 – 1000 lux
- Grundljusnivå: TILL, 10 – 30 min
- Nivå grundljus: 10 – 50 %
- Nivå normalljus: 50 – 100 %
- Initialtillstånd: beteende efter inkoppling av matarspänningen ljus FRÅN/TILL
- Normal Sens
- Low Sens
- Burn in
- Sensor

Detaljerade beskrivningar i bruksanvisningen för respektive fjärrkontroll.

8. Drift/Skötsel

Sensorn lämpar sig för automatisk koppling av ljus. Den är inte avsedd för professionella tjuvar, eftersom den inte uppfyller de krav som ställs mot övervakning och sabotage. Ytan kan rengöras med en fuktig trasa (utan rengöringsmedel).

9. Funktionsgaranti

Som köpare har du rätt till gällande garantirättigheter enligt konsumentlagen alt. ALEM 09. Dessa rättigheter varken förkortas eller begränsas genom vår garantiförklaring. Utöver den rättsliga garanti-fristen, ger vi 5 års garanti på att din STEINEL-Professional-Sensor-produkt är i oklanderligt skick och fungerar korrekt. Vi garanterar, att denna produkt är helt utan material-, produktions- eller konstruktionsfel. Vi garanterar, att alla elektroniska element och kablar är fullt funktionsdugliga samt att allt använt råmaterial jämte dess ytor, är helt utan brister.

10. Avfallshantering

Elapparater, tillbehör och förpackning måste lämnas in till miljövänlig återvinning.



Kasta inte elapparater i hushållssoporna!

Gäller endast EU-länder:

Enligt det gällande europeiska direktivet om uttjänta elektriska och elektroniska apparater och dess omsättning i nationell lagstiftning, måste uttjänta elapparater lämnas in till miljövänlig återvinning.

11. Konformitetsförklaring

Härmed försäkras STEINEL Vertrieb GmbH att denna typ av radioustrustning HF 3360 överensstämmer med direktiv 2014/53/EU. Den fullständiga texten till EU-försäkran om överensstämmelse finns på följande webbadress: www.steinel.de

12. Tillverkargaranti

Som köpare har du rätt till gällande garantirättigheter enligt konsumentlagen alt. ALEM 09. Dessa rättigheter varken förkortas eller begränsas genom vår garantiförklaring. Utöver den rättsliga garanti-fristen, ger vi 5 års garanti på att din STEINEL-Professional-Sensor-produkt är i oklanderligt skick och fungerar korrekt. Vi garanterar, att denna produkt är helt utan material-, produktions- eller konstruktionsfel. Vi garanterar, att alla elektroniska element och kablar är fullt funktionsdugliga samt att allt använt råmaterial jämte dess ytor, är helt utan brister.

Reklamation

Om du vill reklamera din produkt, så kontakter du inköpsstället dvs din återförsäljare. Om återförsäljaren av olika anledningar ej kan kontaktas kan du vända dig direkt till Steinels generalagent i Sverige; **Karl H Ström AB, Verktygsvägen 4, 553 02 Jönköping, 036 - 550 33 00**. Vi rekommenderar att du sparar kvittot väl tills ga-

rantitiden har gått ut. För transportkostnader och -risker vid retursändningar lämnar STEINEL ingen garanti.

Ytterligare uppgifter om produkter samt kontakt hittar du på vår hemsida. www.khs.se

Om du har frågor beträffande produkten eller frågor om garantins omfattning, kan du alltid nå oss på **036 - 550 33 00**.

5 ÅRS
TILLVERKAR
GARANTI

13. Tekniska data

Mått (L × B × H)	Utanspångigande montage, runt	Ø 126 × 52 mm
	Utanspångigande montage, kantigt	95 × 95 × 52 mm
	Infällt montage, runt	Ø 124 × 64 mm
	Infällt montage, kantigt	94 × 94 × 64 mm
Spänning	220-240 V, 50/60 Hz max. 2,5 mm ²	
Bevakningsvinkel	360° med 180° öppningsvinkel	
Användning	Inomhus	
Sensorik	5,8 GHz högfrekvens	
Sändeffekt	ca 1 mW	
Efterlytid	5 sek. - 15 min.	
DALI utgång	2-polig styrkabel Single-master Application Controller/Broadcast	
	Garanterad matarström	60 mA
	Maximal matarström	250 mA
DALI komfortfunktion grundljusnivå	Till, Från, 10-30 min, hela natten, 10-50 %	
Skymningsinställning	2-1000 lux + teach-läge	
Permanent ljus	kopplingsbart (4 timmar)	
Skyddsklass	Utanspångigande montage: IP54	
	Infällt montage: IP20	
Temperaturområde	- 20 °C till + 50 °C	
Montagehöjd	2-2,8 m	

14. Driftstörningar

Störning	Orsak	Åtgärd
Sensor utan spänning	<ul style="list-style-type: none">■ Säkring defekt, inte påslagen■ Kortslutning■ Extra växelbrytare FRÅN■ Säkring defekt	<ul style="list-style-type: none">■ Byt säkring, slå till spänningen, testa med spänningsprovare■ Kontrollera anslutningarna■ Slå till■ Byt säkring, kontrollera ev. anslutningar
Sensorn tänder inte ljuset	<ul style="list-style-type: none">■ Glödlampa defekt■ Vid dagsljusdrift, skymningsinställningen står på nattdrift■ Extra växelbrytare FRÅN■ Säkring defekt	<ul style="list-style-type: none">■ Byt ut glödlampan■ Justera inställningen■ Slå till■ Byt säkring, kontrollera ev. anslutningen
Sensorn släcker inte ljuset	<ul style="list-style-type: none">■ Ständig rörelse i bevakningsområdet■ Det permanenta ljuset tänt (röd LED lyser)■ Ännu en sensor parallellkopplad och fortfarande aktiv)	<ul style="list-style-type: none">■ Kontrollera området■ Släcka permanenta ljuset■ Avvakta efterlystiden för den andra sensorn
Sensorn TÄNDER/SLÄCKER ljuset ständigt	<ul style="list-style-type: none">■ Gardiner, blommor etc. rör sig inom sensorns bevakningsområde och kopplar på nytt genom rörelser■ Sensor i närheten av WLAN eller en annan radiokälla	<ul style="list-style-type: none">■ Kontrollera området■ Installeras minst 2 m från radiokällan

1. Om dette dokumentet

- Les dokumentet nøye og ta vare på det!
- Med opphavsrett.
Ettertrykk, også i utdrag, kun med vår tillatelse.
- Det tas forbehold om endringer som tjener tekniske fremskritt.

Symbolforklaring



Advarsel om fare!



Henvising til tekststeder i dokumentet.

2. Generelle sikkerhetsinstrukser



Koble fra strømtilførselen før du foretar arbeider på sensoren!

- Ved montering må strømledningen som skal tilkobles, være uten spenning. Bruk en spenningstester til å kontrollere at ledningen er strømfri.
- Installasjon av sensoren betyr arbeid på strømmettet. Arbeidet skal derfor utføres av fagfolk i henhold til lokale elektroinstallasjonsforskrifter og tilkoblingskrav.
(DE - VDE 0100, AT - ÖVE-EN 1, CH - SEV 1000)

3. HF 3360

Forskriftsmessig bruk

- Sensoren egner seg til montering i tak og på vegg innendørs.

HF 3360 er en aktiv bevegelsesmelder. Den reagerer temperaturuavhengig på de minste bevegelser. Den integrerte HF-sensoren sender ut høyfrekvente elektromagnetiske bølger (5,8 GHz) og mottar ekkot fra disse. Sensoren merker ekkoforandringene fra selv de minste bevegelser i registreringsområdet, og en mikroprosessor utløser koblingsbefalingen «Tenn lys». Bevegelser kan også registreres gjennom dører, glassflater eller tynne vegger.

Om ønsket kan alle funksjoner stilles inn ved hjelp av fjernkontrollene RC5, RC8 og Smart Remote. (→ «7. Tilbehør»)

Leveringsomfang for skjult ledningsføring (ill. 3.1)

Leveringsomfang for åpen ledningsføring (ill. 3.2)

Apparatoversikt (ill. 3.3)

- A Lastmodul åpen ledningsføring
- B Lastmodul skjult ledningsføring
- C Designramme, rund eller firkantet
- D Sensormodul

Produktmål

Montering i tak/på vegg, skjult ledningsføring (ill. 3.4)

4. Elektrisk installasjon

Nettledningen består av en 3-ledet kabel:

- L = fase (som regel svart, brun eller grå)
- N = nulleder (som regel blå)
- PE = jordleder (grønn/gul)
- DA-/DA+ = tilkobling til DALI-BUS

Koblingseksempel (ill. 4.1/4.2)

– Åpen variant

Er tetningsgummien skadet, må ledningsåpningene tettes til med et dobbeltmembran-rørstykke M 16 eller M 20 (min. IP 54).

For montering på vegg er det et antydet kondensvannhull ved siden av tetningsgummieni (bor med Ø 5 mm). Dette åpnes ved behov. (ill. 5.3)

En hjørnebrakett for montering av HF 3360 fås som ekstrautstyr (art.-nr. 035174 hvit).

Master/slave (ill. 4.3)

HF 3360 egnert seg til bruk i master-slave-nettverk. Da er DALI-sensoren master, og DALI2 ID slave.

Master/slave-modusen gjør det mulig å dekke større rom (last tilkoblet = master, ingen last = slave). Det er kun masteren som beregner lysstyrken i rommet. Slaven melder registrering av bevegelser til masteren. Belysningen kobles inn utelukkende via masteren.

Merk: For DALI2-sensorene må du være oppmerksom på strømforbruket til de enkelte sensorene, slik at den maksimale strømmen som står til disposisjon, ikke overskrides.

HF 3360 DALI2 APC er sertifisert som en single-master application controller iht. NEK IEC 62386-103. Dermed dekker DALI2-sertifiseringen kun brukstifeller der utelukkende elektroniske ballaster med DALI («control gear») er koblet til DALI-busen. Utover dette garanterer vi at tilstedeværelsessensoren også behersker multi-mas-

ter-drift med DALI2-Input Devices for områdeutvidelse. Nærmere informasjon om dette finner du i avsnittet Master/slave. Vi gjør uttrykkelig oppmerksom på at det ikke foreligger noen DALI2-sertifisering for bruk i en DALI-bus med flere kontrollenheter («control devices»).

5. Montering

- Kontroller alle komponenter for skader.
- Ikke ta produktet i bruk dersom det er skadet.
- Velg et egnet monteringssted og ta hensyn til rekkevidde og bevegelsesregistrering.

Fremgangsmåte ved montering:

Montering på vegg, skjult ledningsføring (ill. 5.1)

Montering i tak, skjult ledningsføring (ill. 5.2)

Montering på vegg, åpen ledningsføring (ill. 5.3)

Montering i tak, åpen ledningsføring (ill. 5.4)

- Slå av strømtilførselen.
- Ta designrammen og sensormodulen fra hverandre.
- Ta sensormodulen og lastmodulen fra hverandre.
- Koble til spenningen.
 - Åpen ledningsføring (ill. 5.5)
 - Skjult ledningsføring (ill. 5.6)
- Sett inn festeskruene og monter lastmodulen.
- Sett sammen sensor- og lastmodul og skru dem sammen
- Slå på strømforsyningen.
- Still inn funksjonene (→ «6. Funksjon»)
- Sett på designdekslet.

6. Funksjon/betjening

Fabrikkinnstillinger



Skumringsinnstilling:	1000 lux
Rekkeviddeinnstilling:	ca. 1 m
Tidsinnstilling:	5 s
Hovedlys:	80 %

Konstant lys


Sørger for konstant lysnivå. Sensoren måler dagslyset og kobler andelsmessig inn kunstig lys for å oppnå ønsket lysstyrke. Forandres andelen av dagslys, tilpasses det kunstige lyset tilsvarende. Innkoblingen av kunstig lys er avhengig både av dagslysanandelen og av tilstedeværelse.

Skruknappen kan aktiveres/deaktiveres ved hjelp av RC8-fjernkontrollen og Smart-Remote.

Skumringsinnstilling (ill. 6.1)

Ønsket reaksjonsnivå for sensoren kan stilles trinnløst inn fra ca. 2 til 1000 lux. Innstillingsknapp  betyr skumringsdrift, ca. 2 lux. Skruknapp  betyr dagslysmodus/uavhengig av lysstyrke.

Teach-modus

Når det hersker slike lysforhold det er ønskelig at sensoren i fremtiden skal aktiveres ved bevegelse, skal innstillingsknappen stilles på . Etter 10 sek lagres den målte verdien i omgivelseslysstyrken.

Refleksbeskyttelse

Produktet har en integrert refleksbeskyttelse. Når eksternt lys reflekterer, setter refleksbeskyttelsen sensoren over i en 60 sek. sensoranalyse uavhengig av lysstyrke (→ "13. Driftsfeil«)

LED-funksjon

- Normal drift: LED lyser ikke
- Provedrift: LED lyser når bevegelse registreres
- Fjernkontroll: LED blinker ca. 10 ganger i sekundet
- Varighet PÅ/AV: LED lyser.

Rekkeviddeinnstilling (ill. 6.1)

Trinnløst justerbar

- Innstillingsknapp maksimal = maks. rekkevidde (ca. Ø 8 m)
- Innstillingsknapp minimal = min. rekkevidde (ca. Ø 1 m)

Rekkeviddeskjema (ill. 6.2)

Tidsinnstilling (ill. 6.1)

Ønsket belysningstid for tilkoblet lampe kan stilles trinnløst inn fra ca. 5 sekunder til maks. 15 minutter. Tidsuret starter på nytt hvis den registrerer noen form for bevegelse for denne tiden er utløpt.

7. Tilbehør (ekstrautstyr)

Brukerfjernkontroll RC 5 EAN 4007841 592806

Tilleggsfunksjoner RC 5

- Lys PÅ/AV 4 t
- Bruker-tilbakestilling
- 100 t innbrenning, lys PÅ i 4 t ≥ trykk i 5 sek

- DIM1 - / DIM1 +
- Lagre scene 1
- Aktiver scene 1
- Lagre scene 2
- Aktiver scene 2

Service fjernkontroll RC 8 EAN 4007841 559410

Tilleggsfunksjoner RC 8

- Tidsinnstilling CH 1
- Provedrift/ normal drift
- Skumringsinnstilling: Teach
- Nattmodus
- Dagslysmodus
- Teach-IN
- Reset
- Grunnlysstyrke: AV, natt, 1 = 10 % ... 6 = 60 %, ≥ trykk i 5 sek

Smart Remote EAN 4007841 009151

- Erstatte fjernkontrollene RC 5 og RC 8
- Styring via smarttelefon eller nettbrett
- Last ned passende app og koble til med Bluetooth
- Registrerer sensoren og leser ut parameterne

Tilleggsfunksjoner Smart Remote

- Rekkevidde: min. 1-100 %
- Tidsinnstilling: 5, 10, 15.... 60 sek – 60 min
- Skumringsinnstilling: 2-1000 lux
- Grunnlysstyrke PÅ, 10–30 min
- Trinn grunnlysstyrke: 10-50 %
- Trinn hovedlys: 50-100 %
- Initialtilstand: Slik lampen forholder seg etter at strømtilførsel er opprettet med lys AV/PÅ
- Normal Sens
- Low Sens
- Burn in
- Sensor

Detaljerte beskrivelser finnes i bruksanvisningene for de enkelte fjernkontrollene.

8. Drift/vedlikehold

Sensoren egner seg til automatisk tenning av lys. Apparatet egner seg ikke for spesielle innbruddsalarmnett, fordi det ikke er tilstrekkelig sikret mot sabotasje. Skulle overflaten bli skitten, kan den rengjøres med en fuktig klut (uten rengjøringsmiddel).

9. Avfallsbehandling

Elektriske apparater, tilbehør og emballasje må resirkuleres på en miljøvennlig måte.



Ikke kast elektriske apparater i husholdningsavfallet.

Gjelder kun EU-land:

I henhold til gjeldende europeiske retningslinjer for elektriske apparater og brukte elektriske apparater, og i samsvar med nasjonal lovgivning, skal elektriske apparater som ikke lenger kan benyttes, samles opp atskilt fra annet søppel og gjenvinnes på en miljøvennlig måte.

10. Samsvarserklæring

Hermed erklærer STEINEL Vertrieb GmbH at det trådløse anlegget av type HF 3360 oppfyller kravene i direktiv 2014/53/EU. Den komplette teksten i EU-samsvarserklæringen finnes på følgende internettsadresse: www.steinel.de

11. Produsentgaranti

Som kjøper har du eventuelt lovfestede mangel- eller garantirettigheter overfor selger. I den grad disse rettighetene finnes i ditt land, verken innskrenkes eller forkortes de på grunn av vår garantierklæring. Vi gir deg fem års garanti på at ditt sensorprodukt fra STEINEL Professional er uten mangler og fungerer som det skal. Vi garanterer at dette produktet ikke har material-, produksjons- eller konstruksjonsfeil. Vi garanterer at alle elektroniske deler og kabler fungerer, og at alle materialer og overflater er uten mangler.

Garantikrav

Dersom du ønsker å reklamere på produktet, må du pakke det godt inn, frankere det og sende hele produktet i retur sammen med original kjøpskvittering som viser kjøpsdato og produktnavn. Produktet sendes til forhandler eller direkte til oss: **Vilan AS – Olaf Helset's vei 5, 0694 Oslo, Norge**. Vi anbefaler deg derfor å ta godt vare på kjøpskvitteringen til garantiperioden er utløpt. STEINEL tar ikke ansvar for transportkostnader eller risiko i sammenheng med retursendingen.

Informasjon om hvordan du gjør garantikrav gjeldende finner du på hjemmesiden vår, www.vilan.no

Ta gjerne kontakt med oss om du har garantikrav eller spørsmål angående produktet ditt. Du når oss på **+47 22 72 50 00**.

5 ÅRS
PRODUSENT
GARANTI

12. Tekniske spesifikasjoner

Mål (l × b × h)	Åpen rund Ø	126 × 52 mm
	Åpen firkantet	95 × 95 × 52 mm
	Skjult rund Ø	124 × 64 mm
	Skjult firkantet	94 × 94 × 64 mm
Spenning	220 - 240 V, 50/60 Hz maks. 2,5 mm ²	
Dekningsvinkel	360° med 180° åpningsvinkel	
Bruksområde	Inndørs i bygninger	
Sensorsystem	5,8 Ghz høyfrekvens	
Sendeeffekt	ca. 1 mW	
Tidsinnstilling	5 sek - 15 min	
DALI utgang	2-polet styreledning single-master Application Controller/Broadcast Garantert forsyningsstrøm 60 mA Maks. forsyningsstrøm 250 mA	
DALI komfortfunksjon grunnlysstyrke	PÅ, AV, 10 - 30 min, hele natten, 10 - 50 %	
Skumringsinnstilling	2 - 1000 lux + teach-modus	
Permanent lys	kan slås på (4 t)	
Kapslingsgrad	Åpen: IP54	Skjult: IP20
Temperaturområde	- 20 °C til + 50 °C	
Monteringshøyde	2 – 2,8 m	

13. Driftsfeil

Feil	Årsak	Tiltak
Sensoren har ikke spenning	<ul style="list-style-type: none">■ sikring defekt, ikke tent■ kortslutning■ ekstra vendebryter AV■ sikring defekt	<ul style="list-style-type: none">■ ny sikring, slå på strømbryteren, kontroller ledningen med spennings-tester■ kontroller koblingene■ slå på■ ny sikring, kontroller evt. koblingene
Sensoren slår seg ikke på	<ul style="list-style-type: none">■ lyspære defekt■ ved dagmodus, skumringsinnstilling står på nattmodus■ ekstra vendebryter AV■ defekt sikring	<ul style="list-style-type: none">■ skift lyspære■ still inn på nytt■ slå PÅ■ ny sikring, kontroller evt. koblingspunktene
Sensoren slår seg ikke av	<ul style="list-style-type: none">■ permanente bevegelser i dekningsområdet■ permanent lys er slått på (rød LED lyser)■ en annen sensor er tilkoblet parallelt og er fremdeles aktiv	<ul style="list-style-type: none">■ kontroller området■ slå av permanent lys■ avvent den andre sensorens tidsinnstilling
Sensoren slår seg stadig PÅ/AV	<ul style="list-style-type: none">■ bevegelser fra gardiner, blomster etc. i sensorens registreringsområde tenner lyset på nytt■ sensoren er i nærheten av trådløst datanett eller andre trådløse kilder	<ul style="list-style-type: none">■ kontroller området■ installer minst 2 m fra den trådløse kilden